

GEBERIT AQUACLEAN MERA CLASSIC FLOOR-STANDING

GEBERIT



INSTALLATION MANUAL

**KNOW
HOW
INSTALLED**

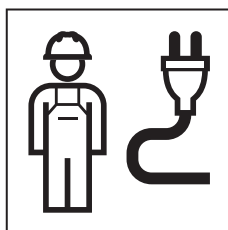
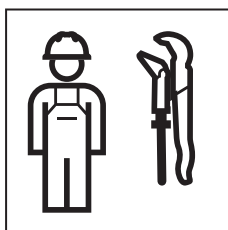
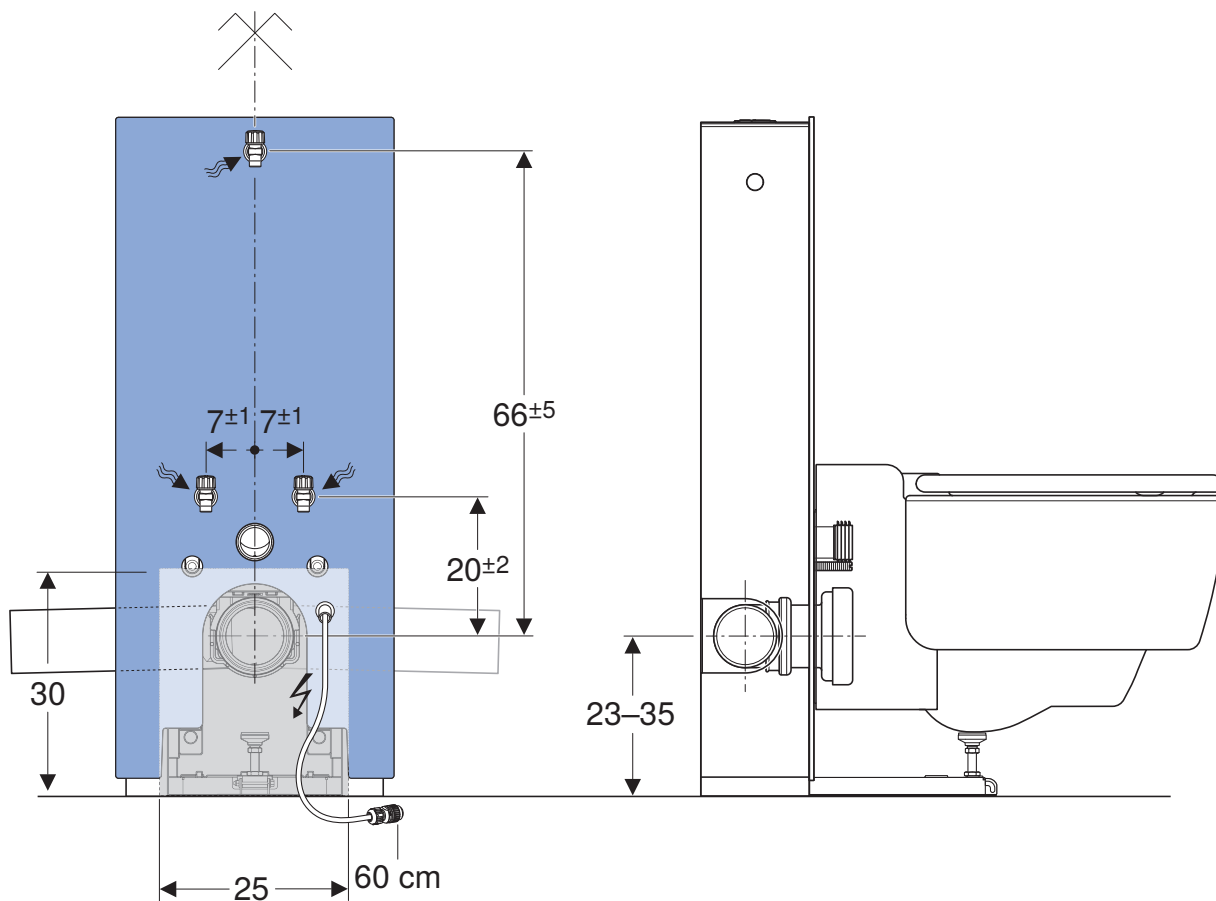


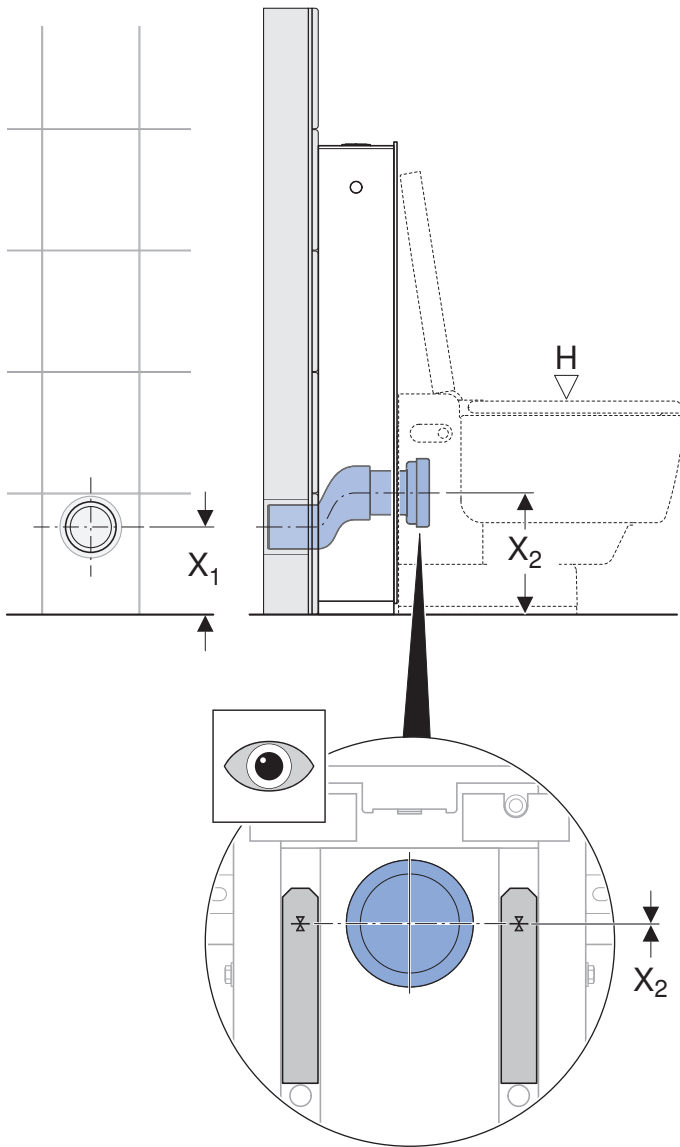
Table of contents




Dimensions in cm	3
Installation dimensions for AquaClean Mera floor-standing WC Care	3
Installation	5
Removing the packaging	5
Connecting the female socket	6
Mounting the angle stop valve.....	8
Mounting the frame	9
Outlet pipe situation.....	15
Mount the outlet pipe wall outlet	15
Mounting the outlet pipe side outlet.....	17
Mount the reinforced braided hoses.....	18
Mount the cover plate	22
Mounting the flush pipe and the outlet pipe.....	24
Mount the shower toilet	27
Mounting the covers	33
Function test	37
Testing the flush actuation	37
Mounting the wall-mounted holder	37
Setting the remote control language	38
Switching on the device.....	39
Testing automatic flush actuation	40
Checking the lateral control panel	41
Testing the remote control.....	42
Resetting the storage water heater	44
Commissioning	47
Putting the device into operation	47
Handing over the device.....	48

Dimensions in cm

Installation dimensions for AquaClean Mera floor-standing WC Care



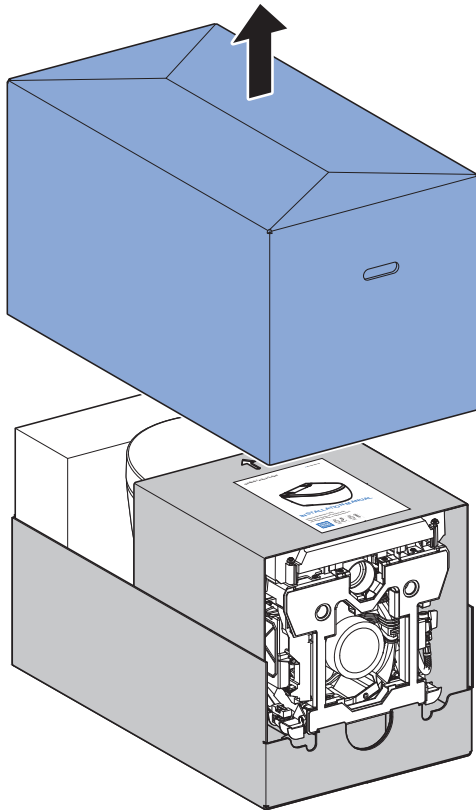


X_1		X_2	H	
23	0 cm	23	44 \pm 1	
24		24	45 \pm 1	
25		25	46 \pm 1	
26		26	47 \pm 1	
21	3 cm	24	45 \pm 1	
22		25	46 \pm 1	
23	 131.085.11.1	26	47 \pm 1	
24		27	48 \pm 1	
25		28	49 \pm 1	
26		29	50 \pm 1	
19		5 cm	24	45 \pm 1
20			25	46 \pm 1
21	26		47 \pm 1	
22	27		48 \pm 1	
23	28		49 \pm 1	
24	 388.352.29.1		29	50 \pm 1
25	30		51 \pm 1	
26	31		52 \pm 1	
17	7 cm	24	45 \pm 1	
18		25	46 \pm 1	
19		26	47 \pm 1	
20		27	48 \pm 1	
21		28	49 \pm 1	
22		29	50 \pm 1	
23		30	51 \pm 1	
24		 131.108.11.1	31	52 \pm 1
25		32	53 \pm 1	
26		33	54 \pm 1	
27		34	55 \pm 1	
28	35	56 \pm 1		

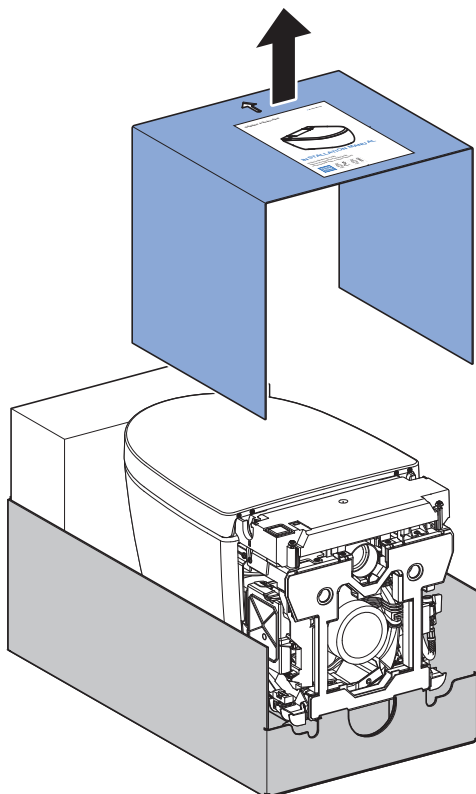
Installation

Removing the packaging

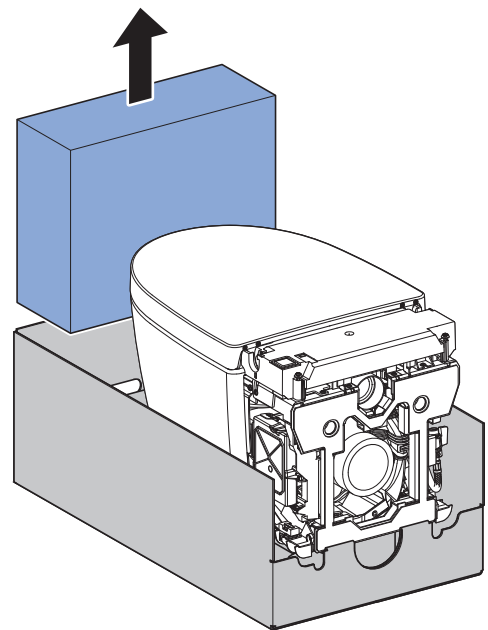
- 1** Open cardboard box and remove cover.



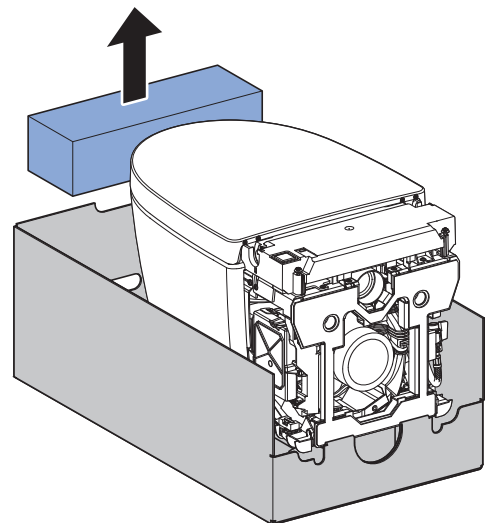
- 2** Remove the U cardboard.



- 3** Remove the panelling package.



- 4** Remove the accessory package.

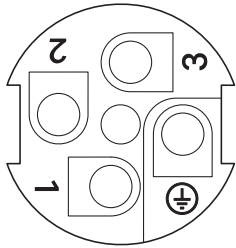


Connecting the female socket



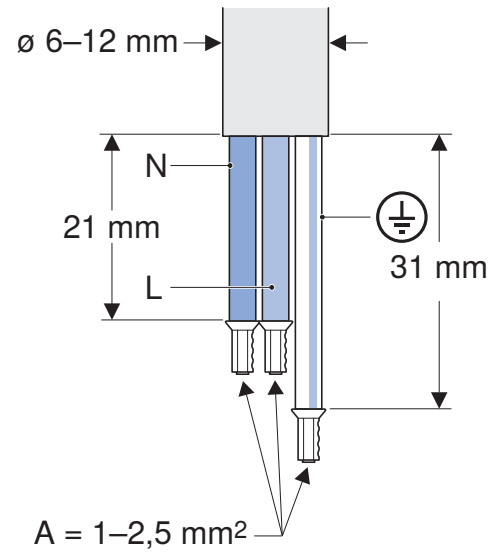
Prerequisite

- Wiring overview of the female socket.

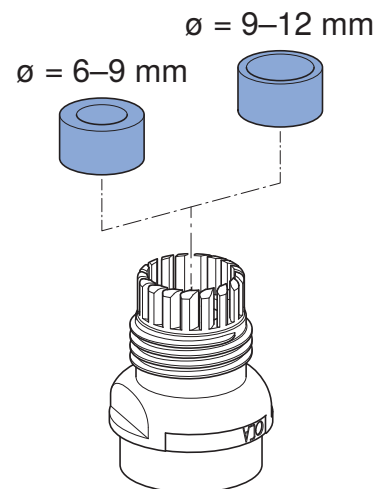
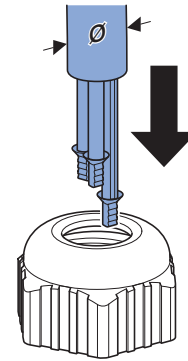


1		L
2		N
3		-

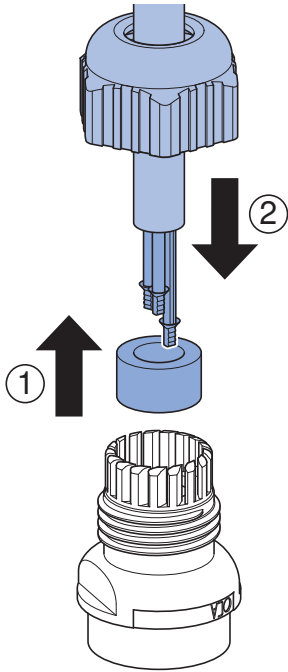
- 1 Cut strands to length.



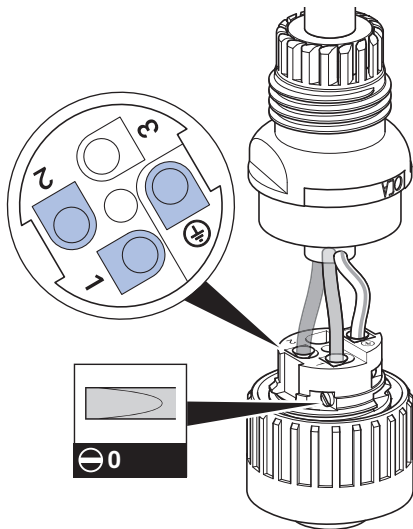
- 2 Select cable feed-through.



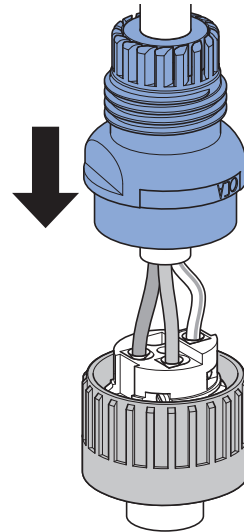
3 Push the strands through.



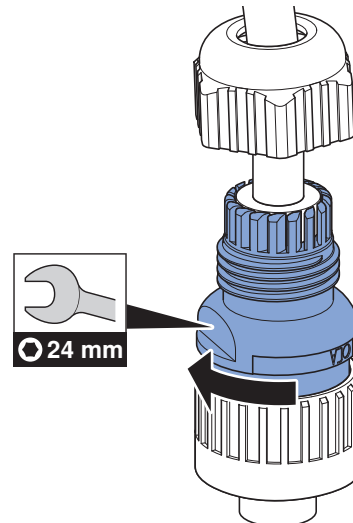
4 Connect the strands.



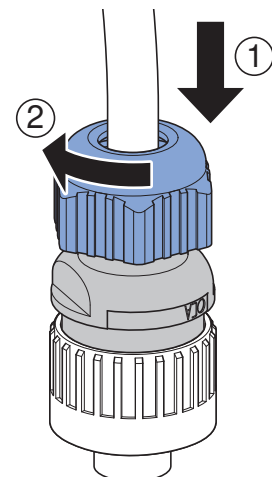
5 Fit the nut onto the female socket.



6 Tighten the nut.

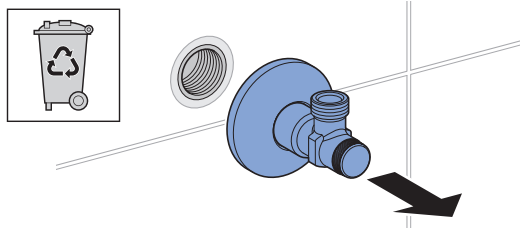


7 Screw on the female socket.

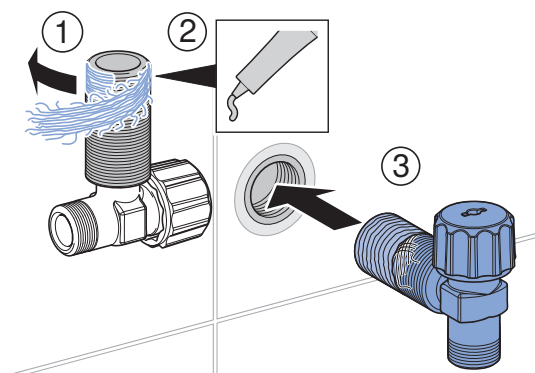


Mounting the angle stop valve

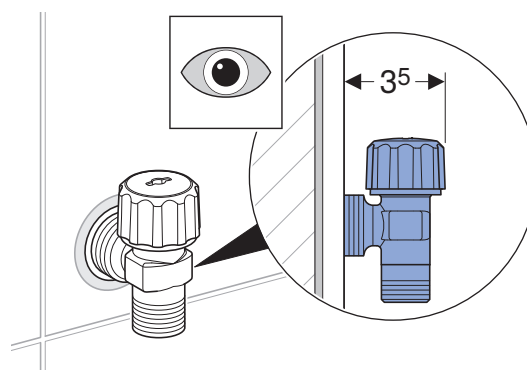
1 Remove the angle stop valve.



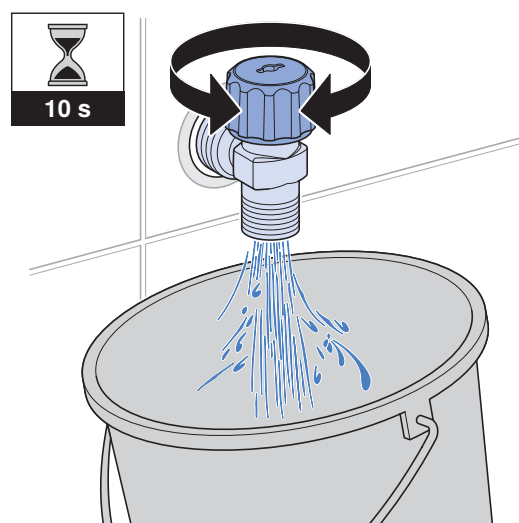
2 Seal the angle stop valve with hemp and mount it.



3 Check the dimensions of the angle stop valve.

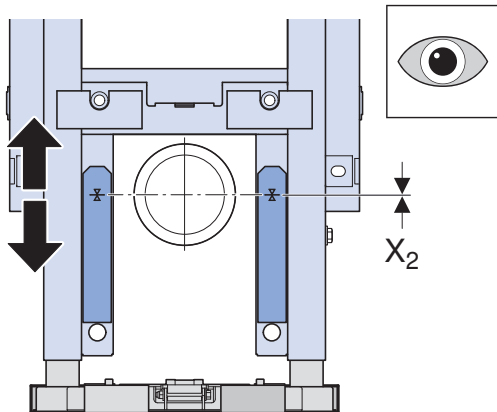
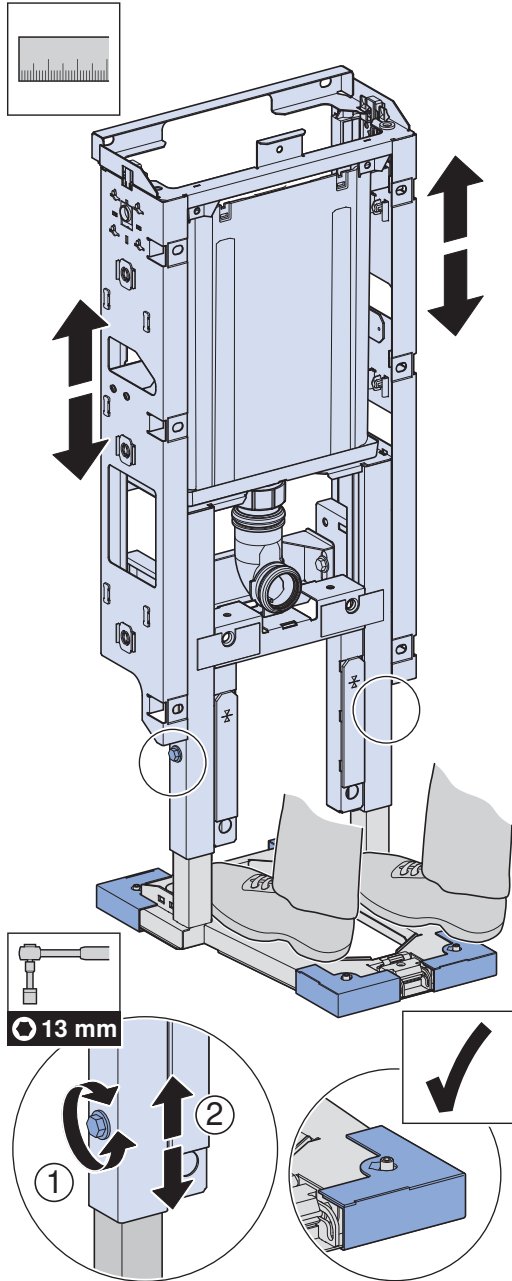


4 Flush the angle stop valve.

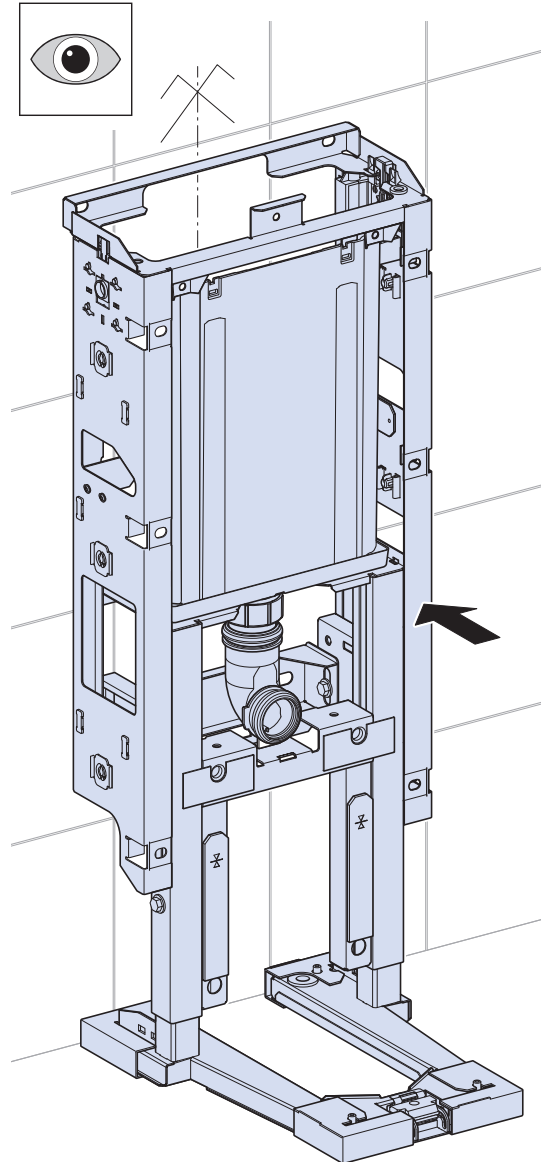


Mounting the frame

1 Adjust the frame height.

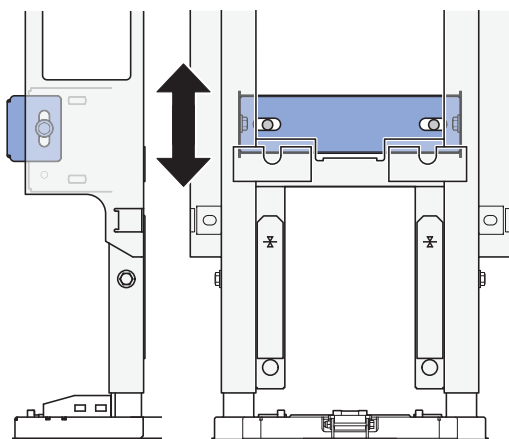
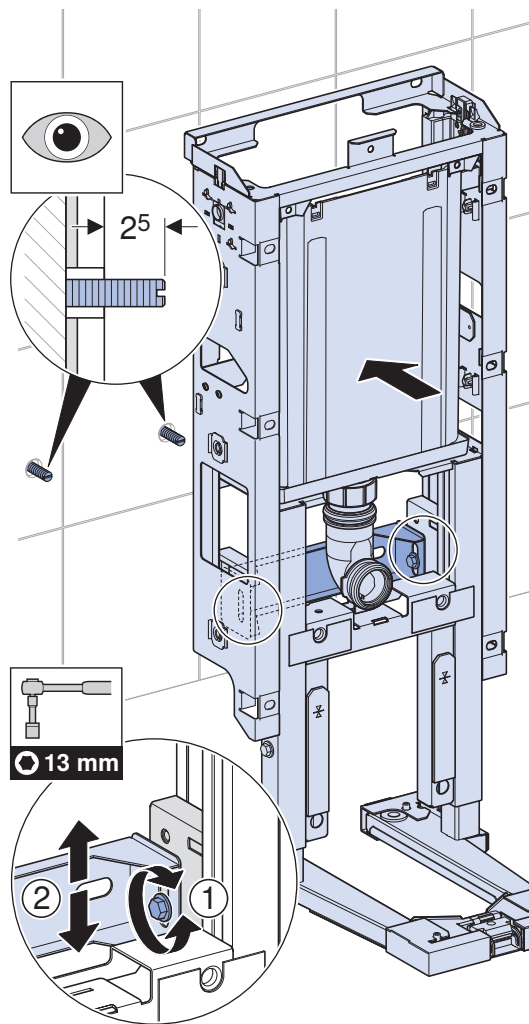


2 Position the frame.



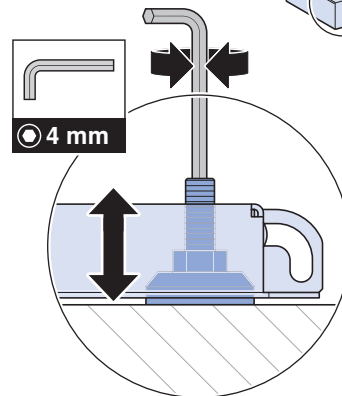
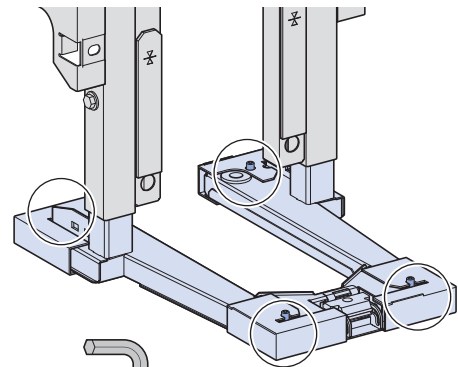
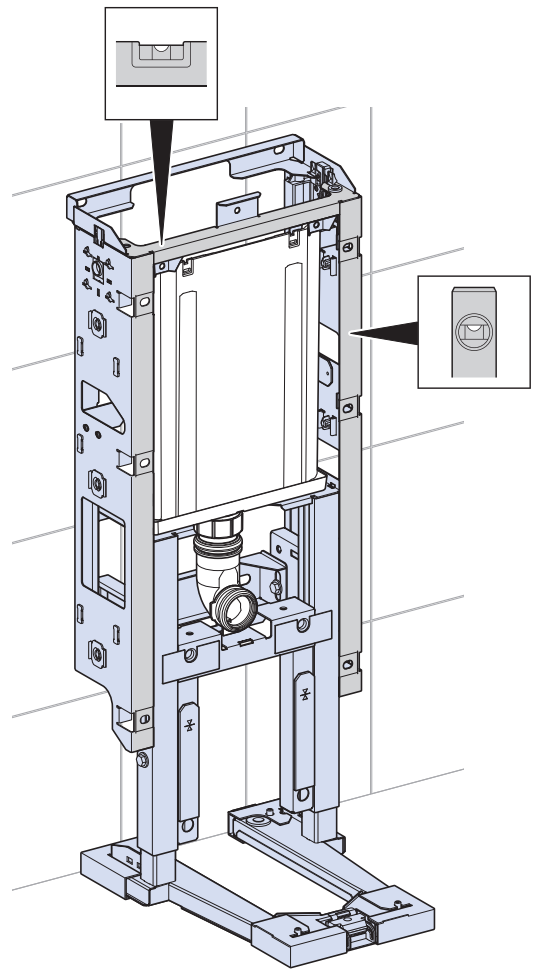


Align the crossbeam in the frame if the frame has to be aligned on existing threaded rods.

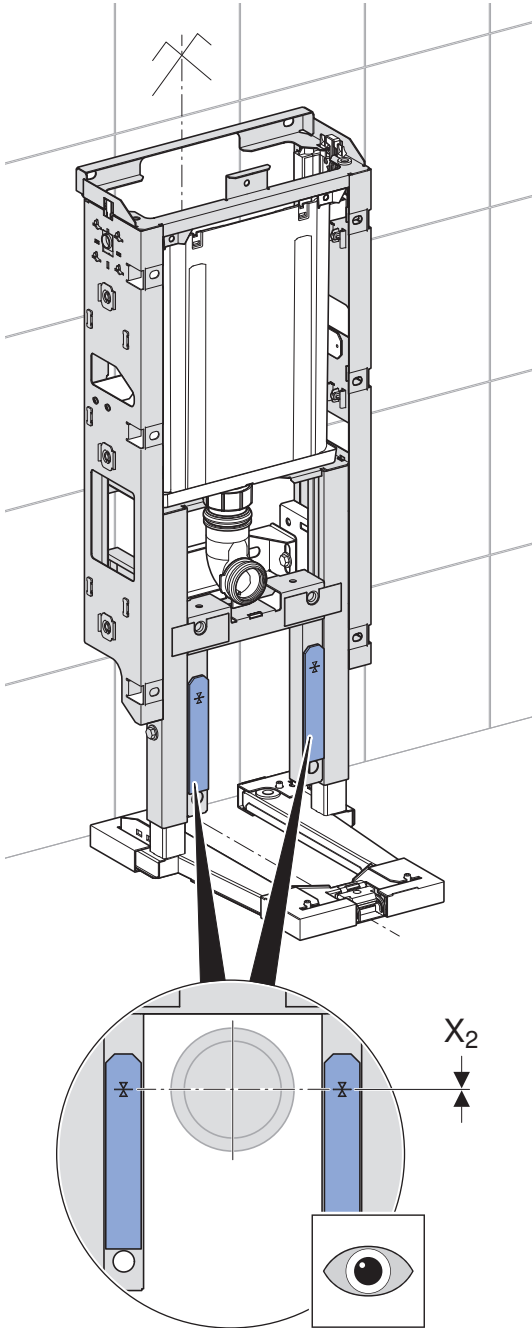


3

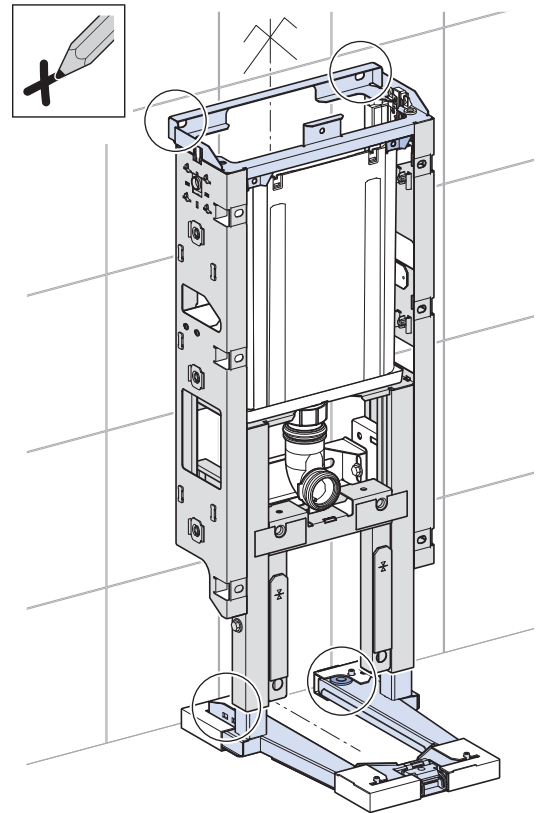
Align the foot screws. Check the vertical and horizontal frame alignment.



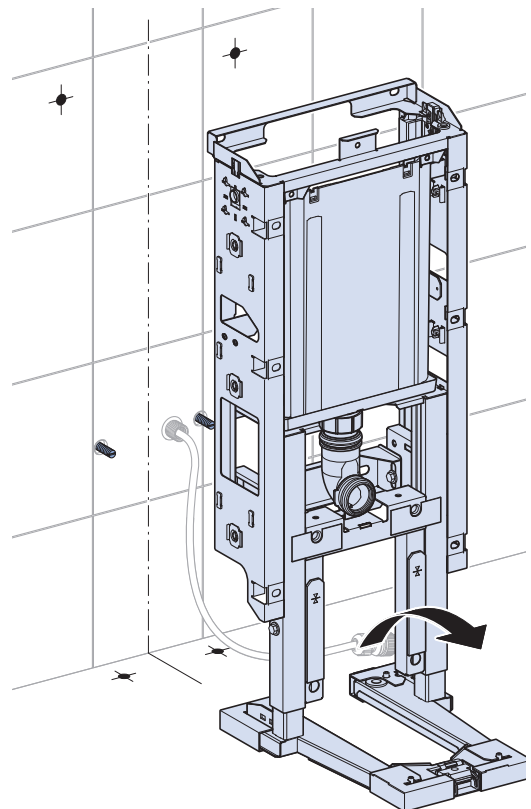
4 Align the frame so that it is centred.



5 Mark the top and bottom fastening points.

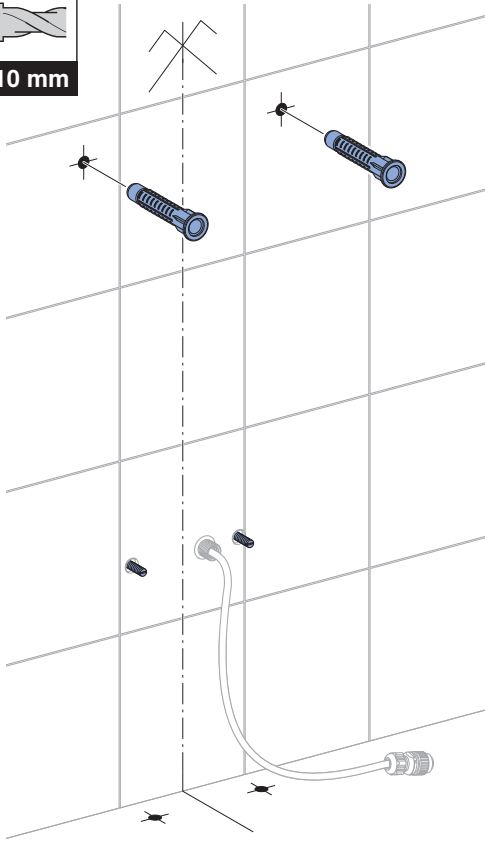
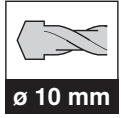


6 Remove the frame.

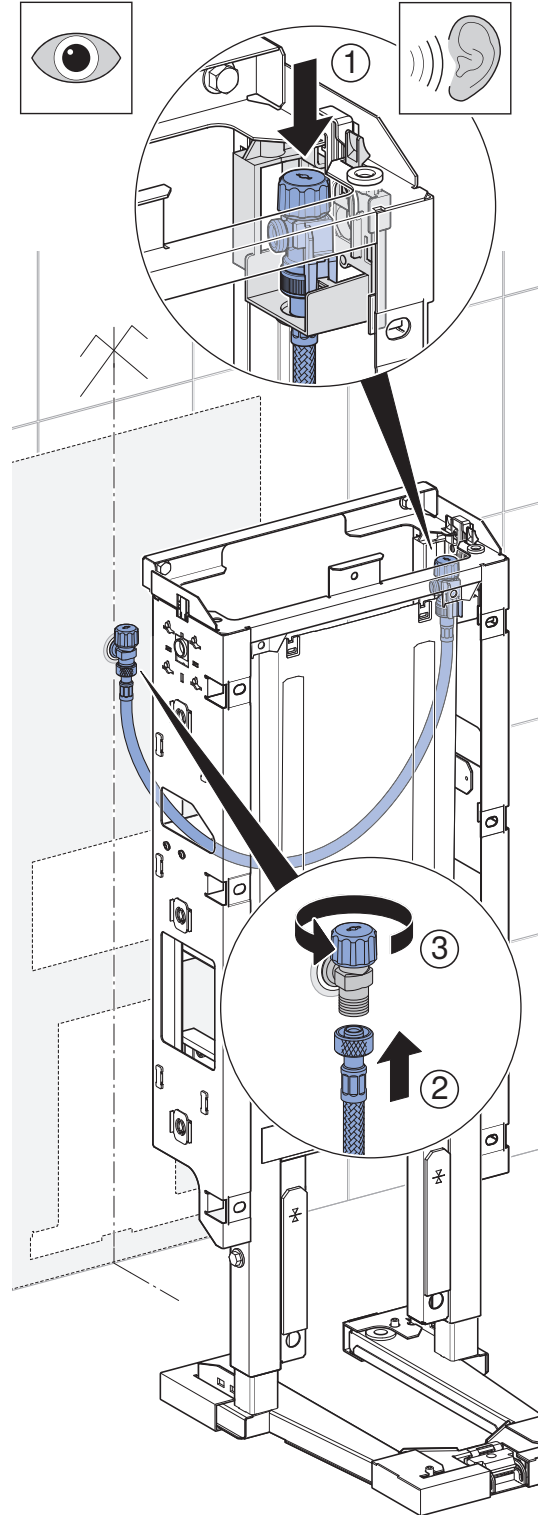
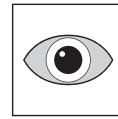


7

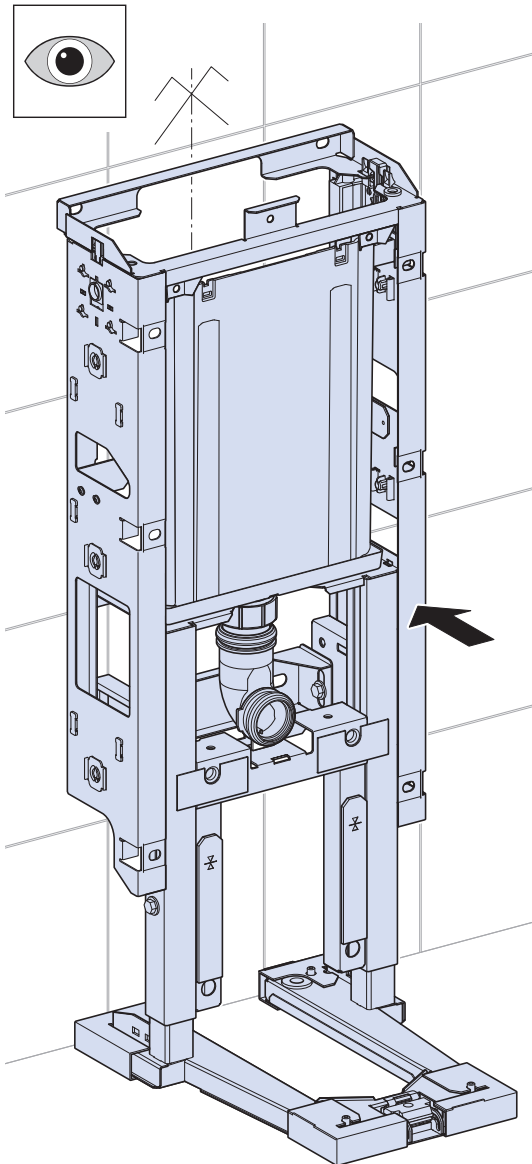
Drill the fixing holes.



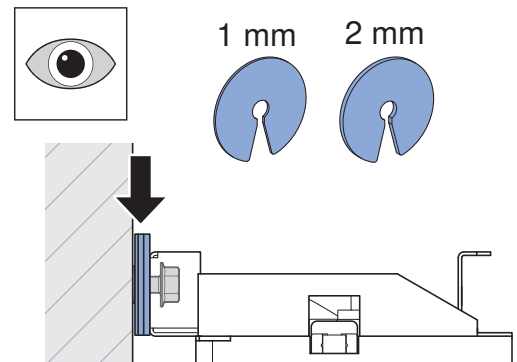
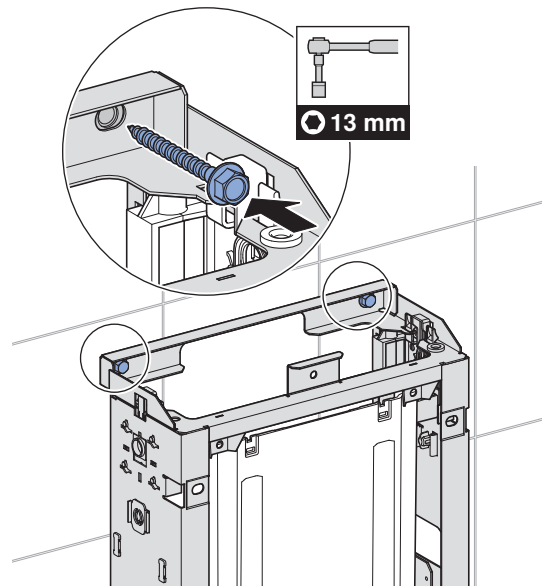
Establish the rear centre water supply connection.



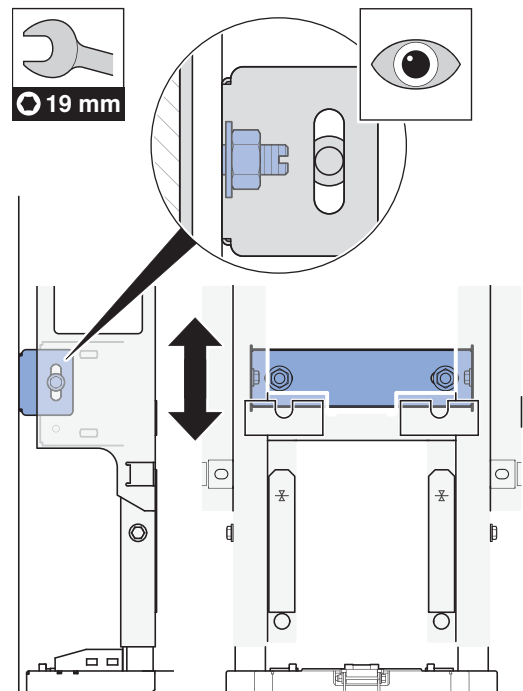
8 Position the frame.



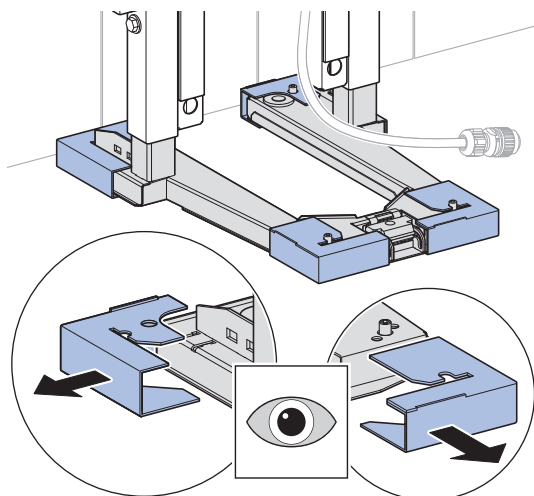
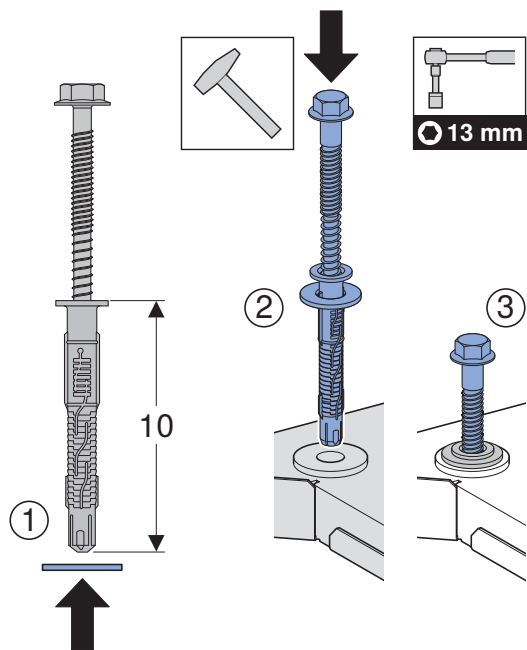
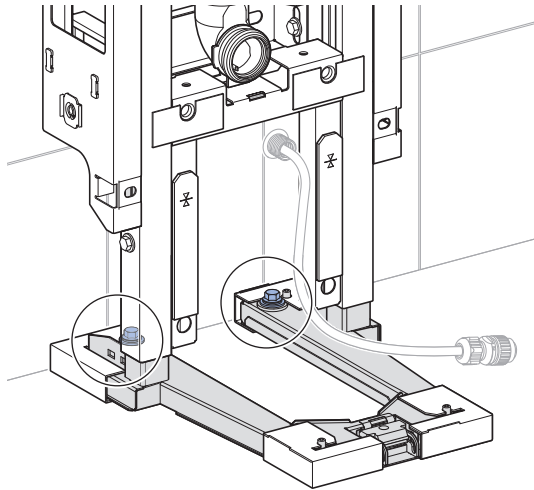
9 Mount the frame screws at the top.



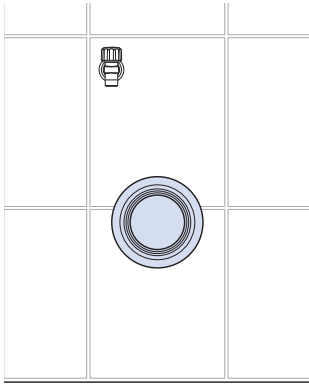
i Adjust the frame if necessary.



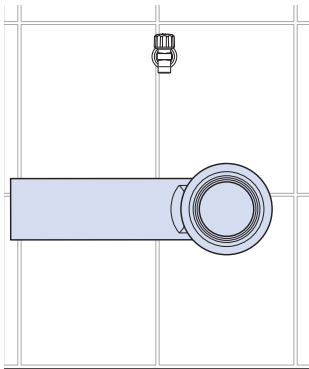
10 Mount the frame screws at the bottom.



Outlet pipe situation



"Mount the outlet pipe wall outlet", page 15

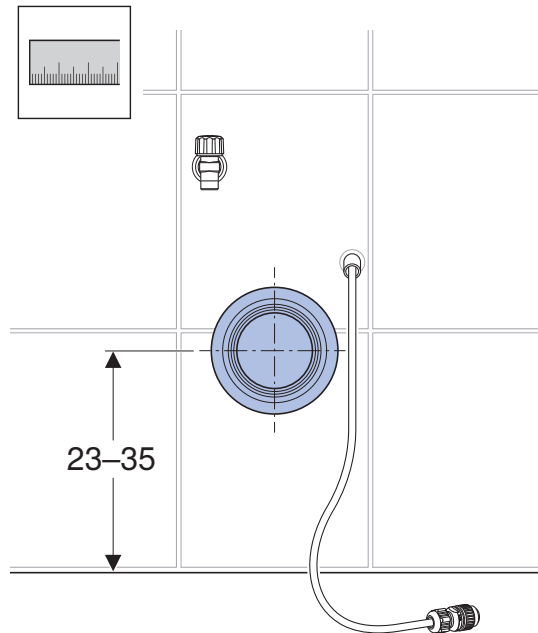


"Mounting the outlet pipe side outlet", page 17

Mount the outlet pipe wall outlet

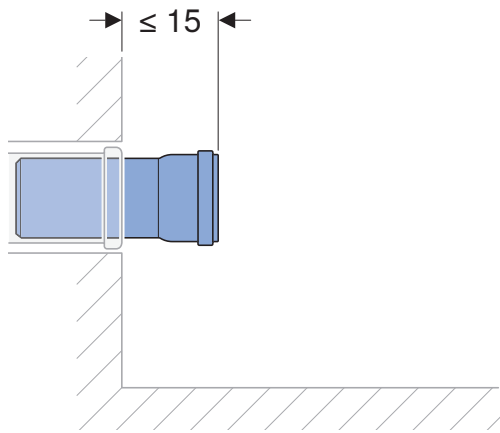
Prerequisite

- Installation dimensions of the outlet pipe wall outlet.





Mount the offset sheet.



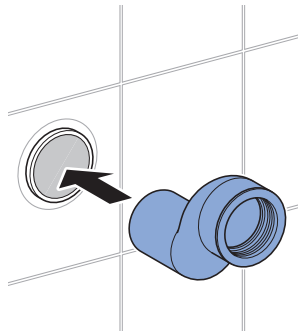
3 cm



5 cm

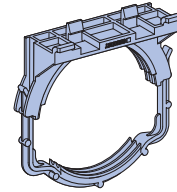
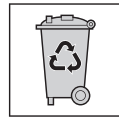
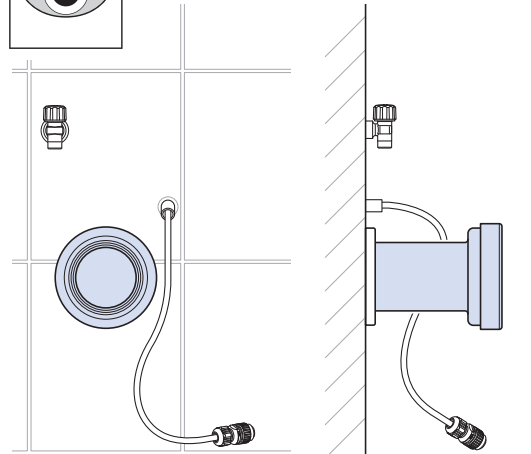
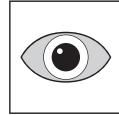


7 cm



1

Dispose of the pipe bracket.

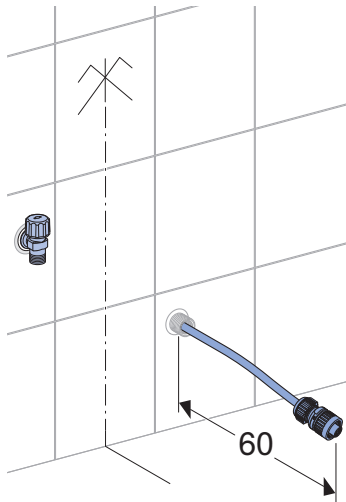


See "Mount the reinforced braided hoses",
page 18.

Mounting the outlet pipe side outlet

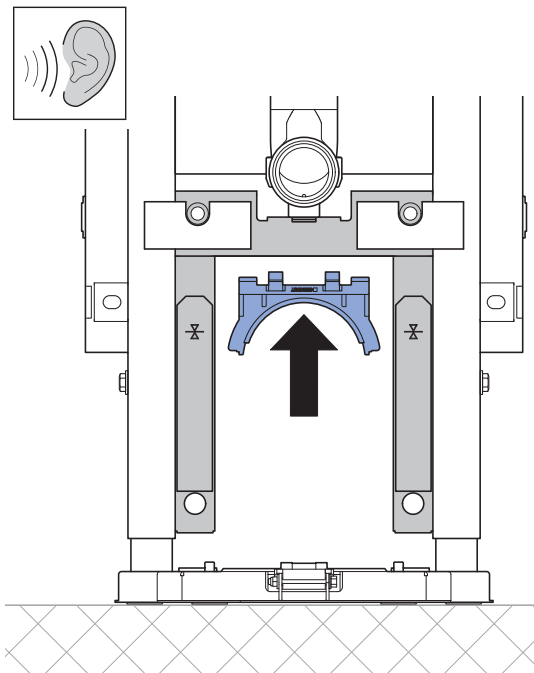
Prerequisite

- Installation dimensions of the outlet pipe side

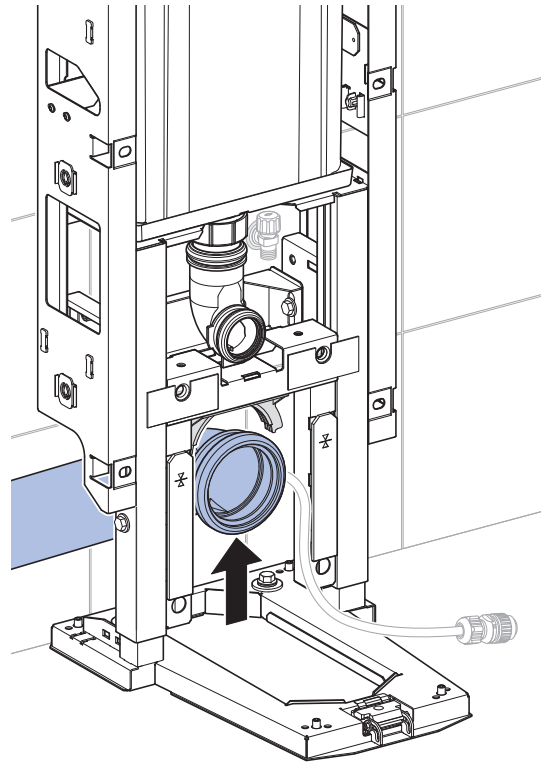


outlet.

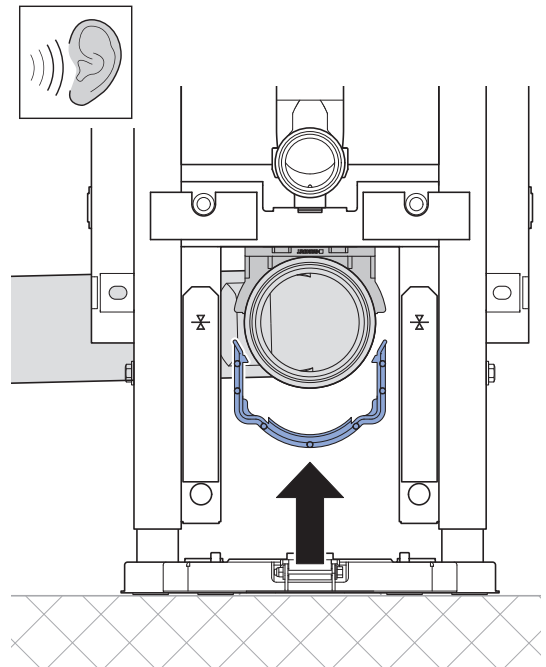
- 1** Insert the upper part of the pipe bracket.



- 2** Mount the outlet pipe.

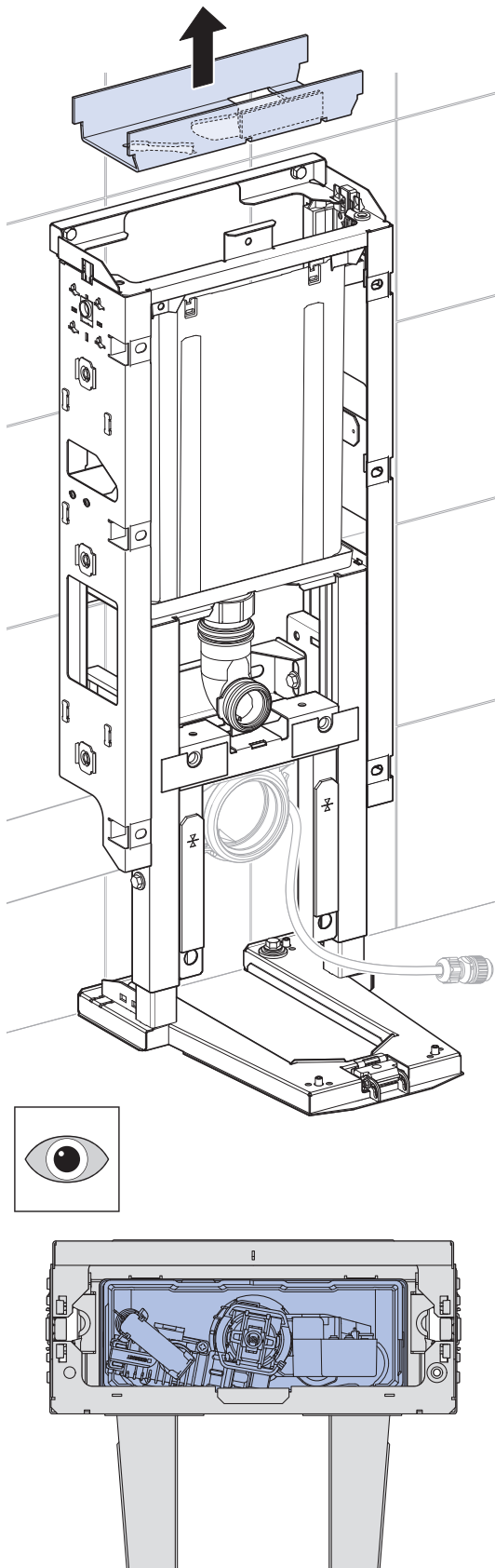


- 3** Secure the outlet pipe with the lower part of the pipe bracket.

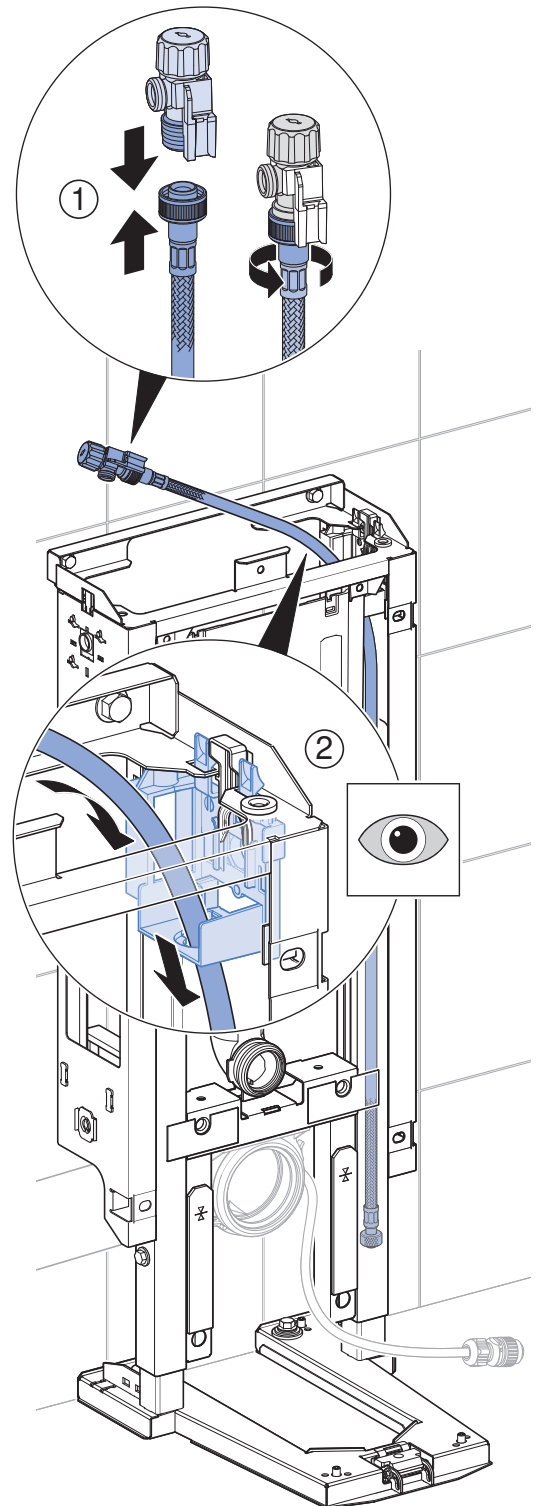


Mount the reinforced braided hoses

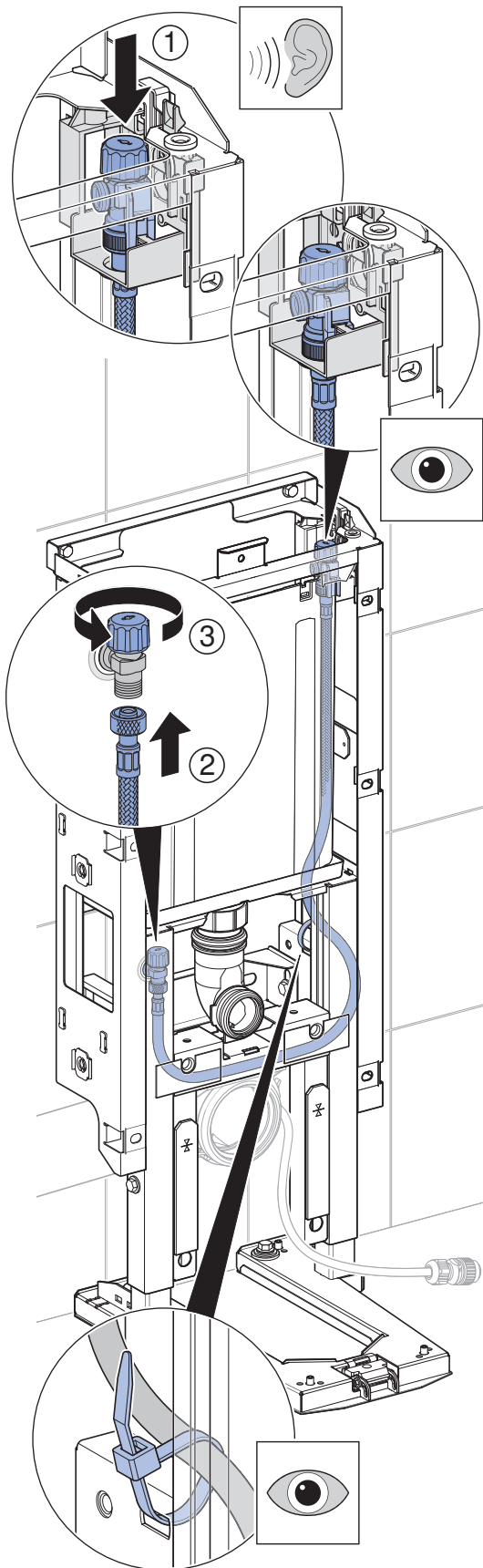
1 Remove the transport protection.



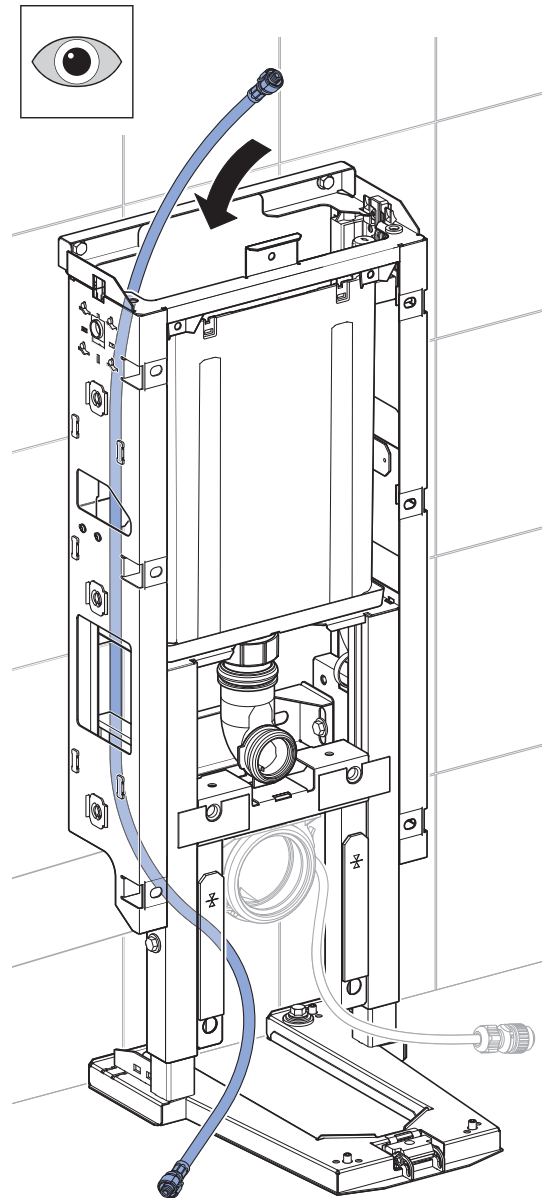
2 Insert the reinforced braided hose.



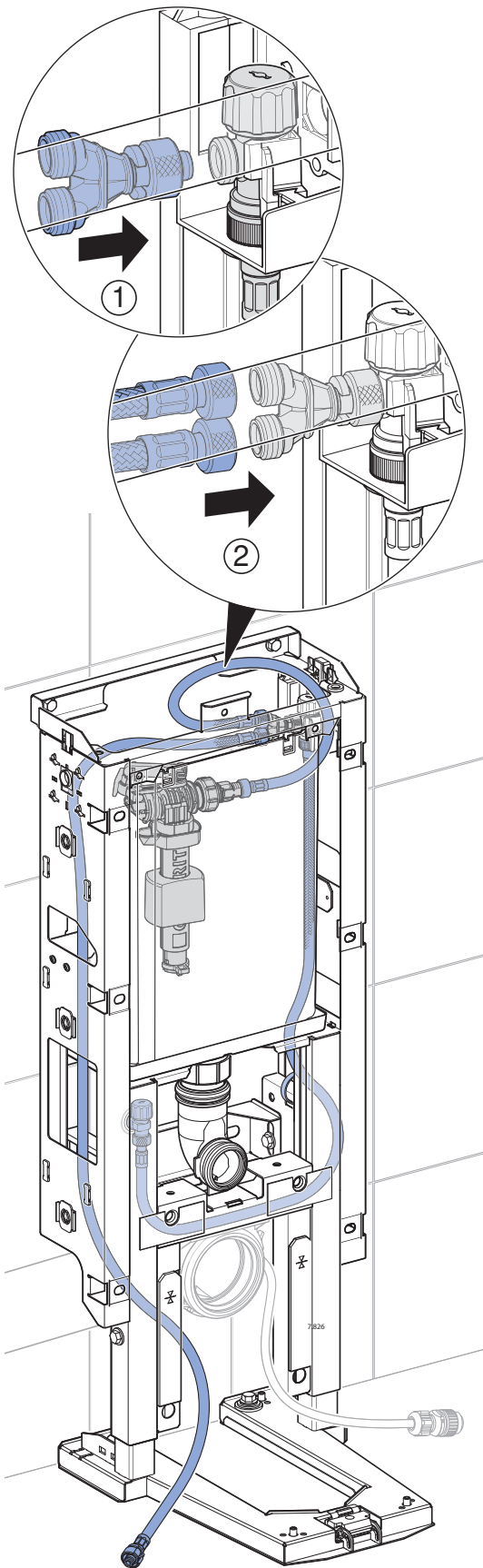
- 3** Connect and secure the reinforced braided hose to the angle stop valve.



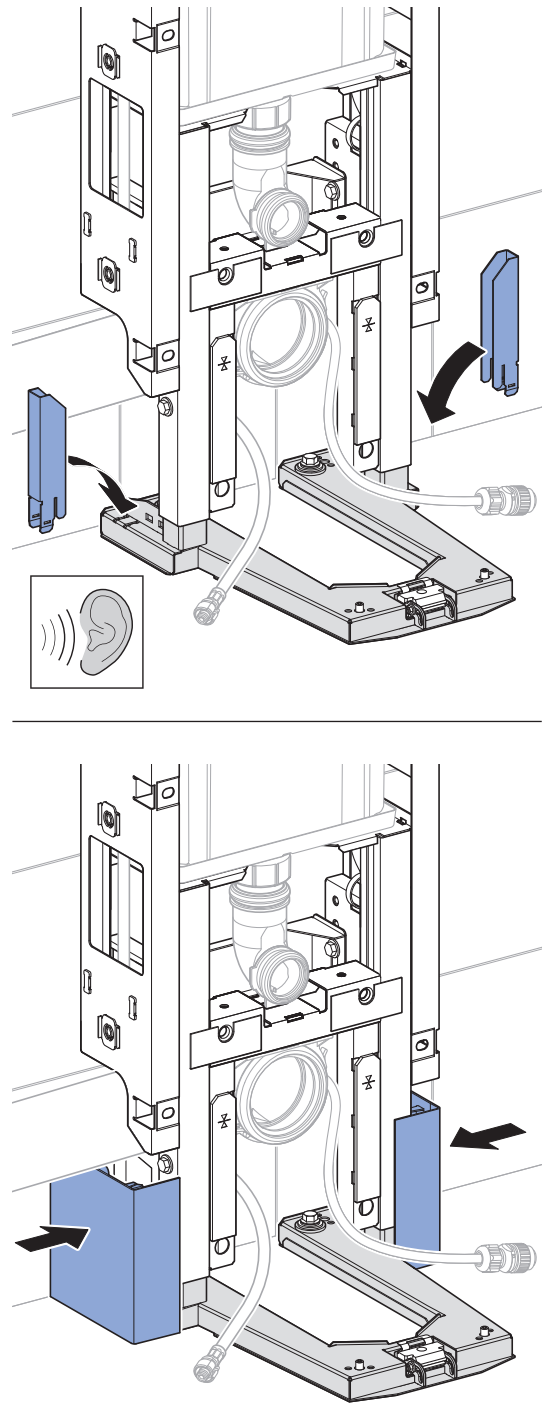
- 4** Lay the reinforced braided hose for the shower toilet.



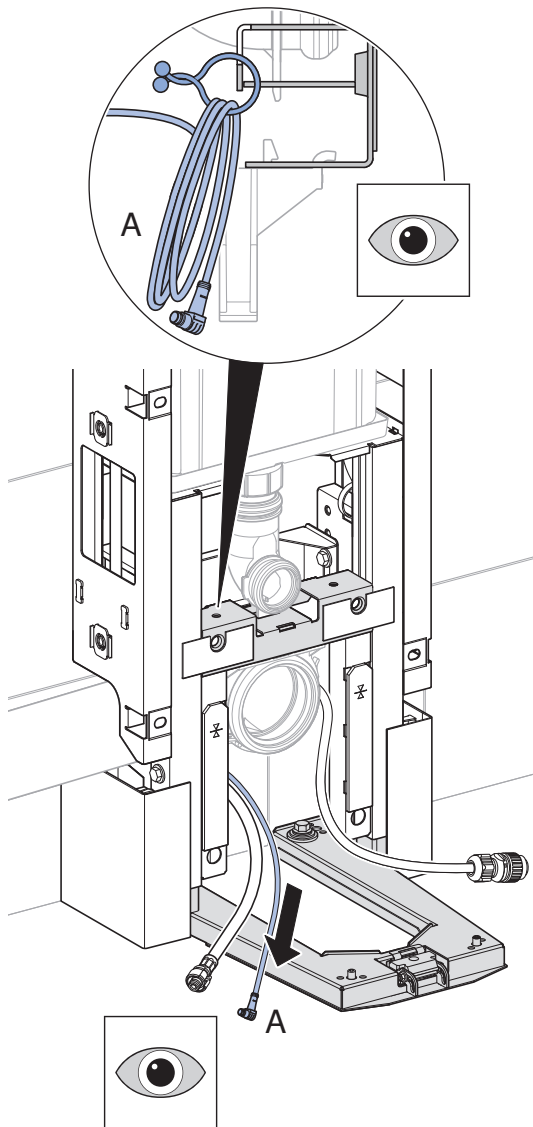
5 Mount the Y-piece and connect the reinforced braided hoses.



6 Mount the bottom side cover.

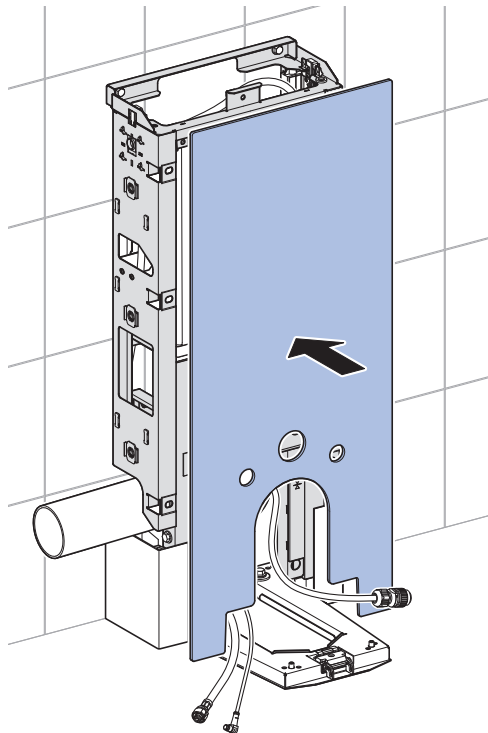


-
- 7** Lay the cables and the reinforced braided hose towards the front.



Mount the cover plate

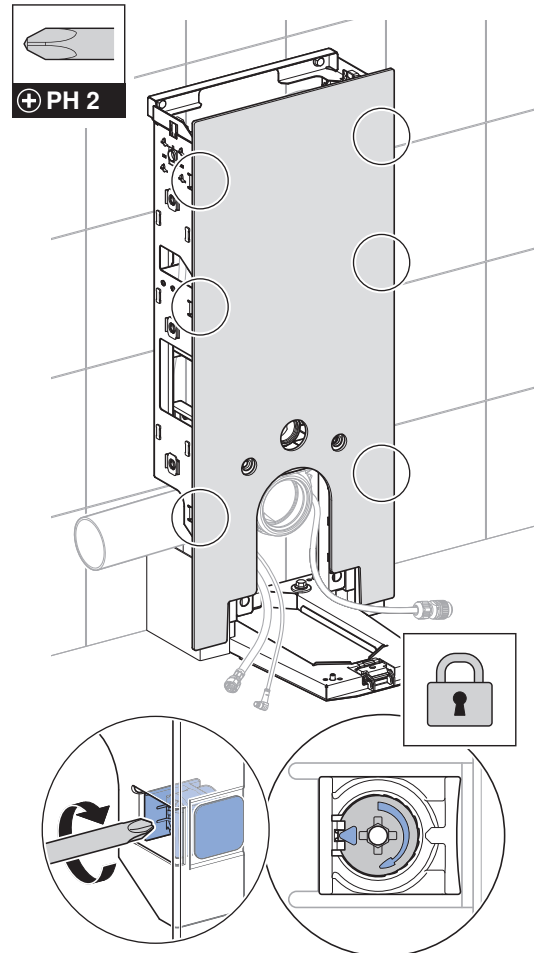
1 Mount the front cladding.



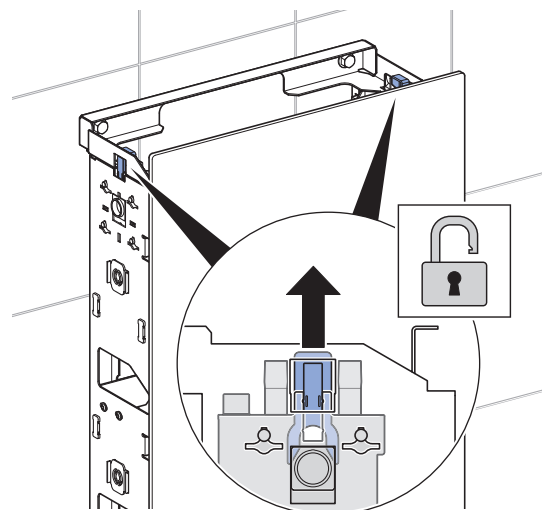
2 Press the front cladding into the frame to insert the interlock.



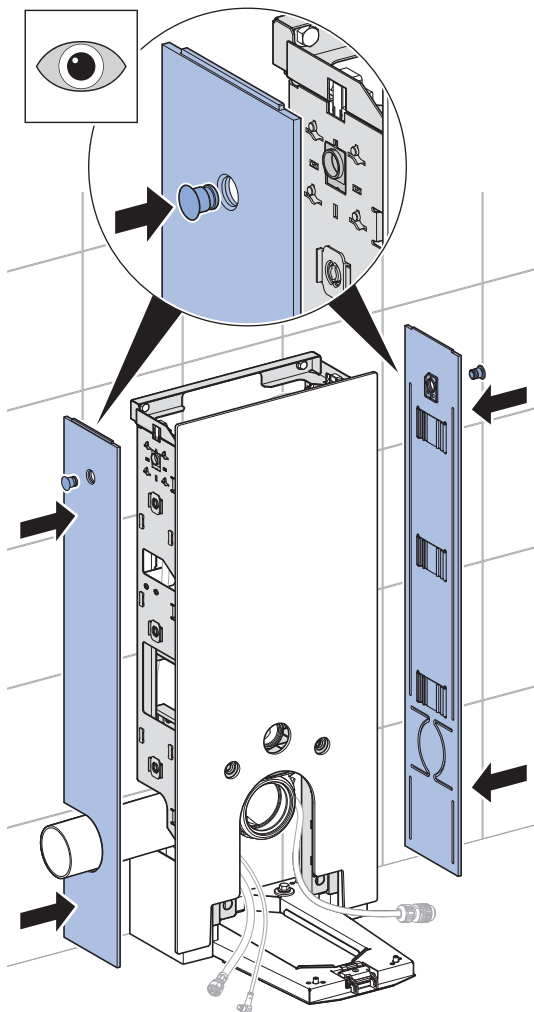
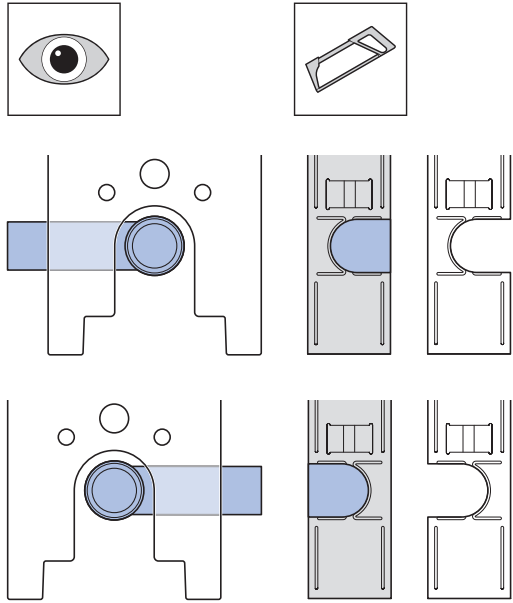
3 Lock the front cladding.



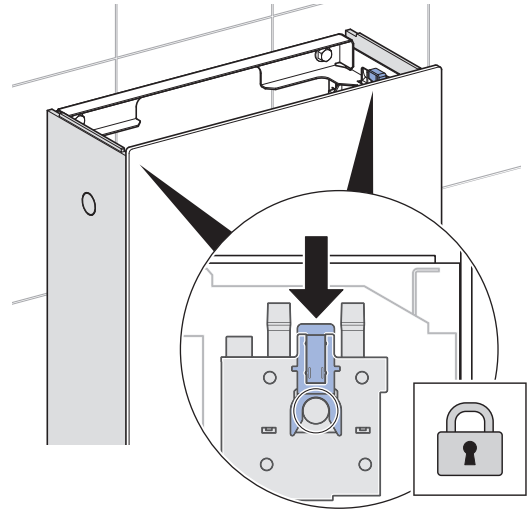
4 Open the side interlock.



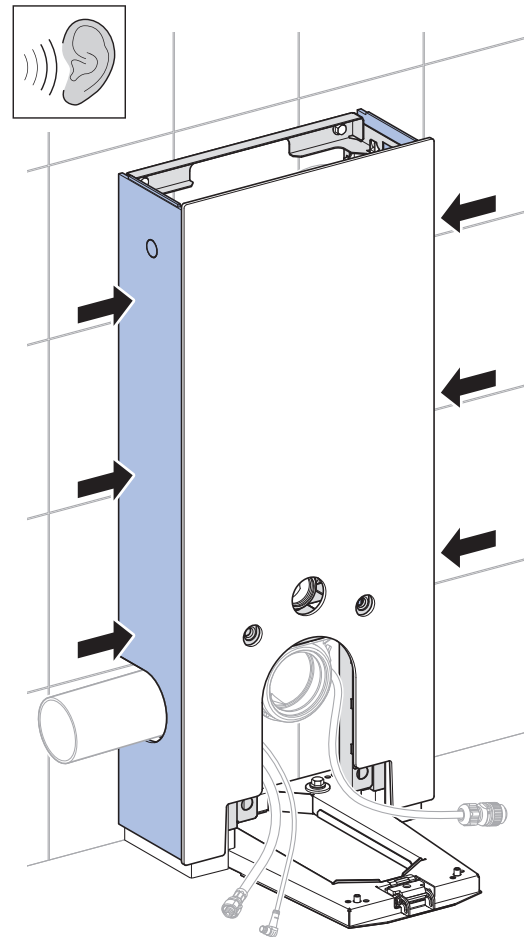
5 Cut out the side cladding.



6 Lock the side cladding.

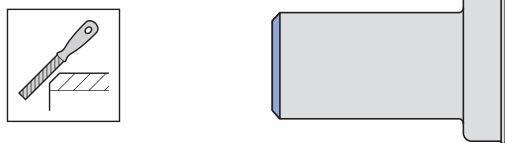
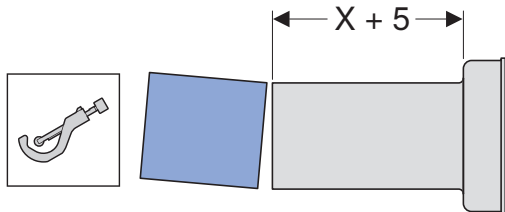
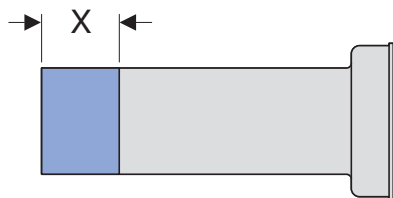
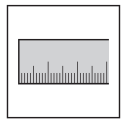
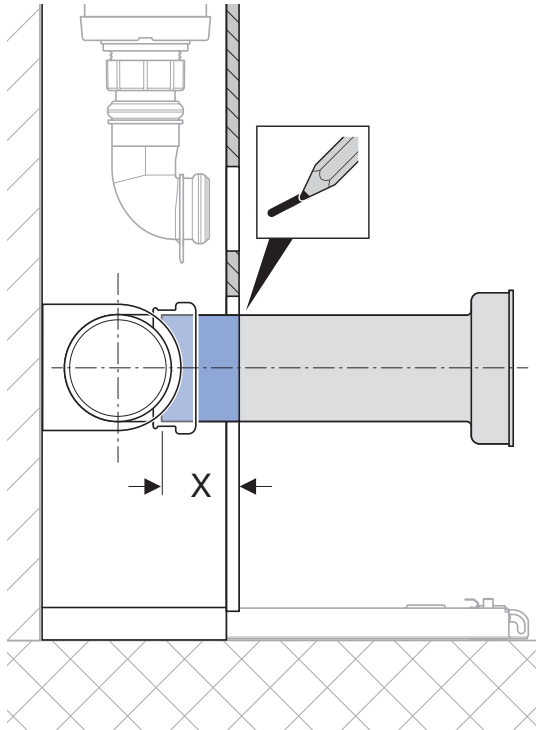


7 Mount the side cladding.

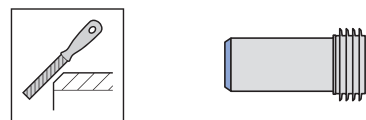
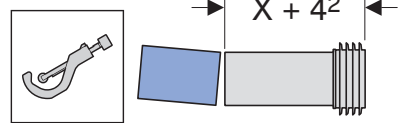
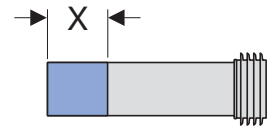
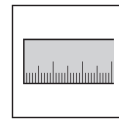
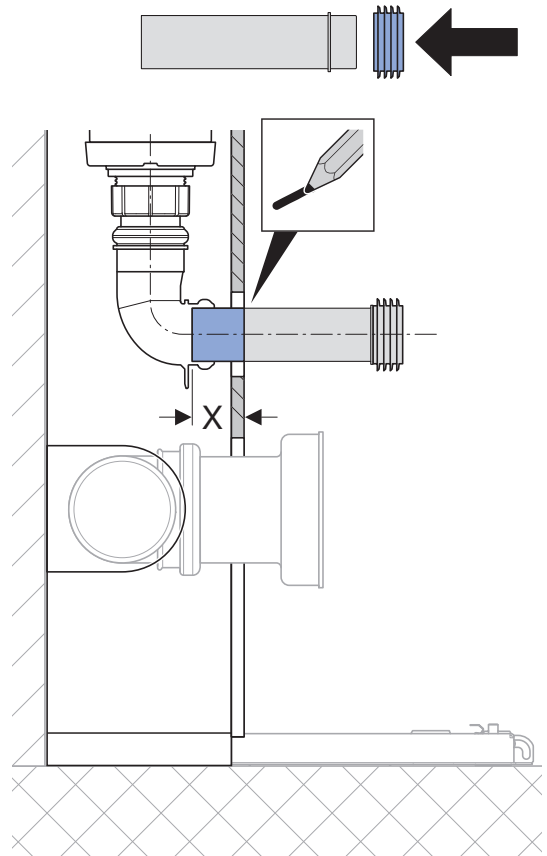


Mounting the flush pipe and the outlet pipe

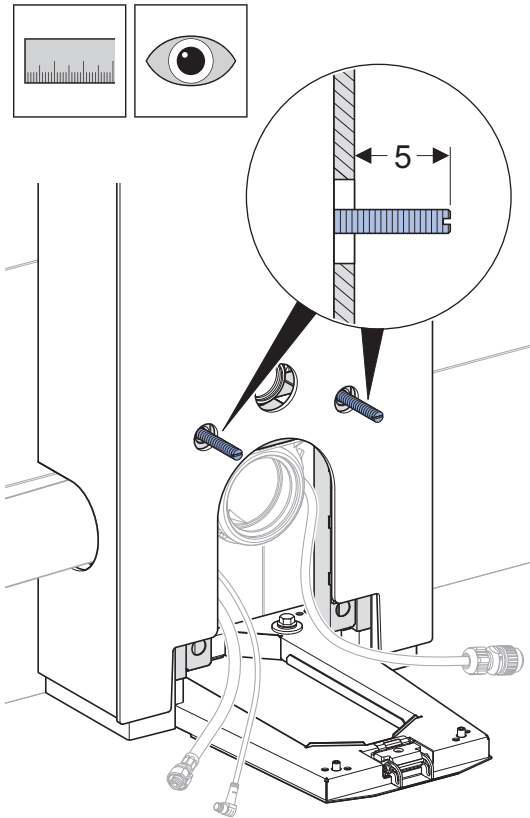
1 Measure the outlet pipe, cut it to length and deburr it.



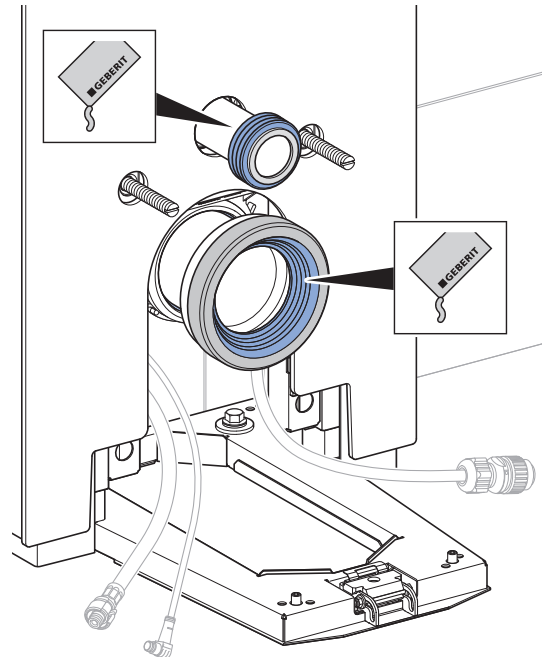
2 Measure the flush pipe, cut it to length and deburr it.



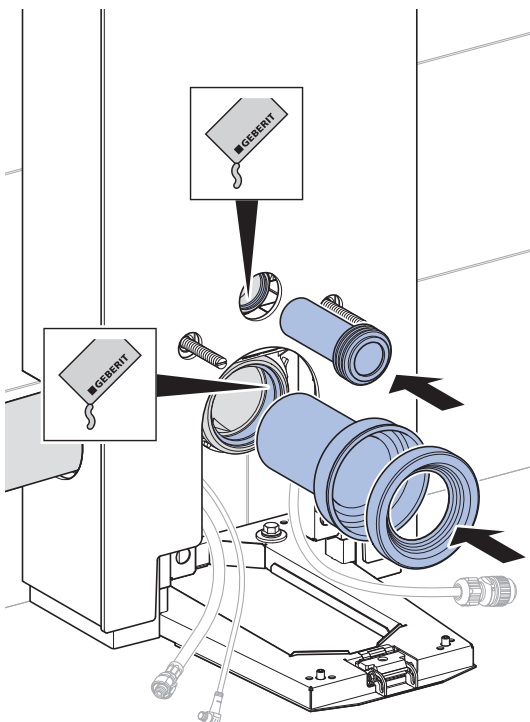
3 Mount the threaded rods.



5 Apply the lubricant on the seals.

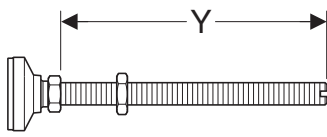
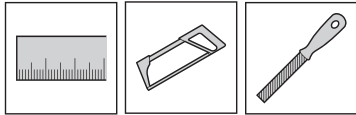
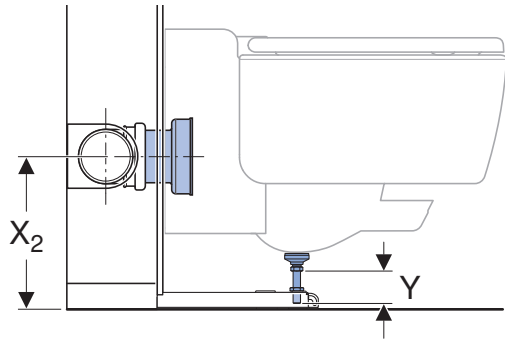


4 Mount the flush pipe and the outlet pipe.

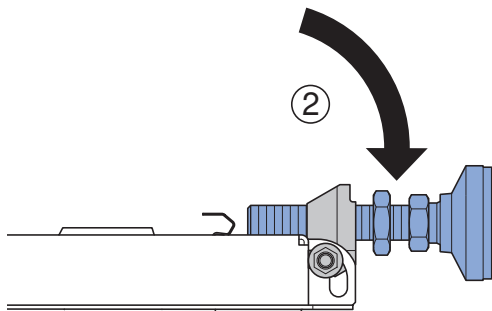
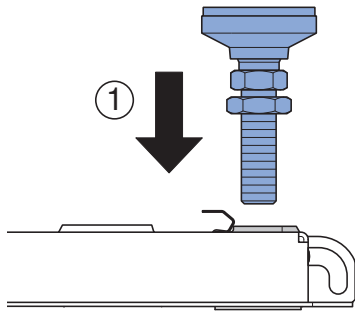




Cut the leg support to size.

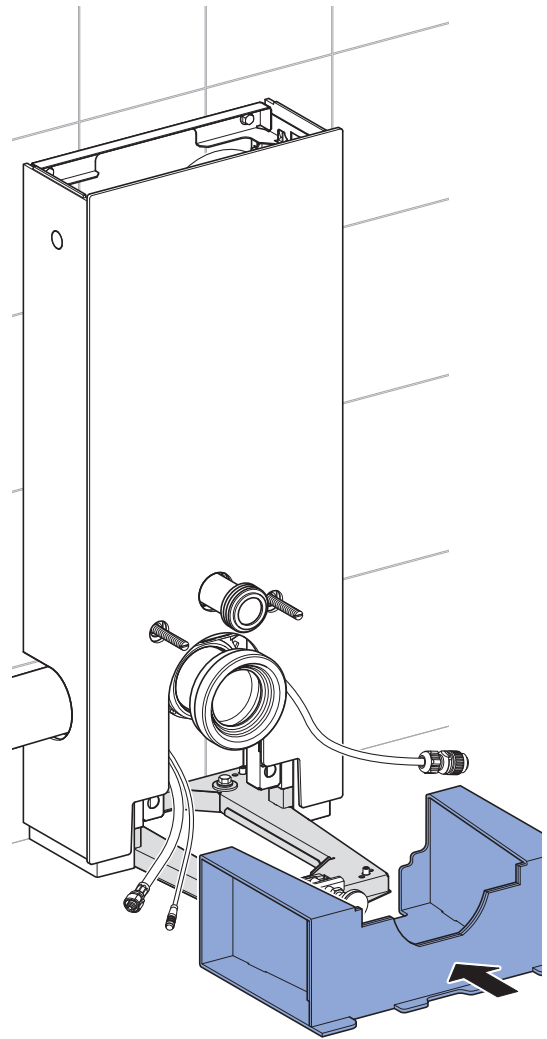


X_2	Y	X_2	Y
23	2 ⁵	30	9 ⁵
24	3 ⁵	31	10 ⁵
25	4 ⁵	32	11 ⁵
26	5 ⁵	33	12 ⁵
27	6 ⁵	34	13 ⁵
28	7 ⁵	35	14 ⁵
29	8 ⁵		



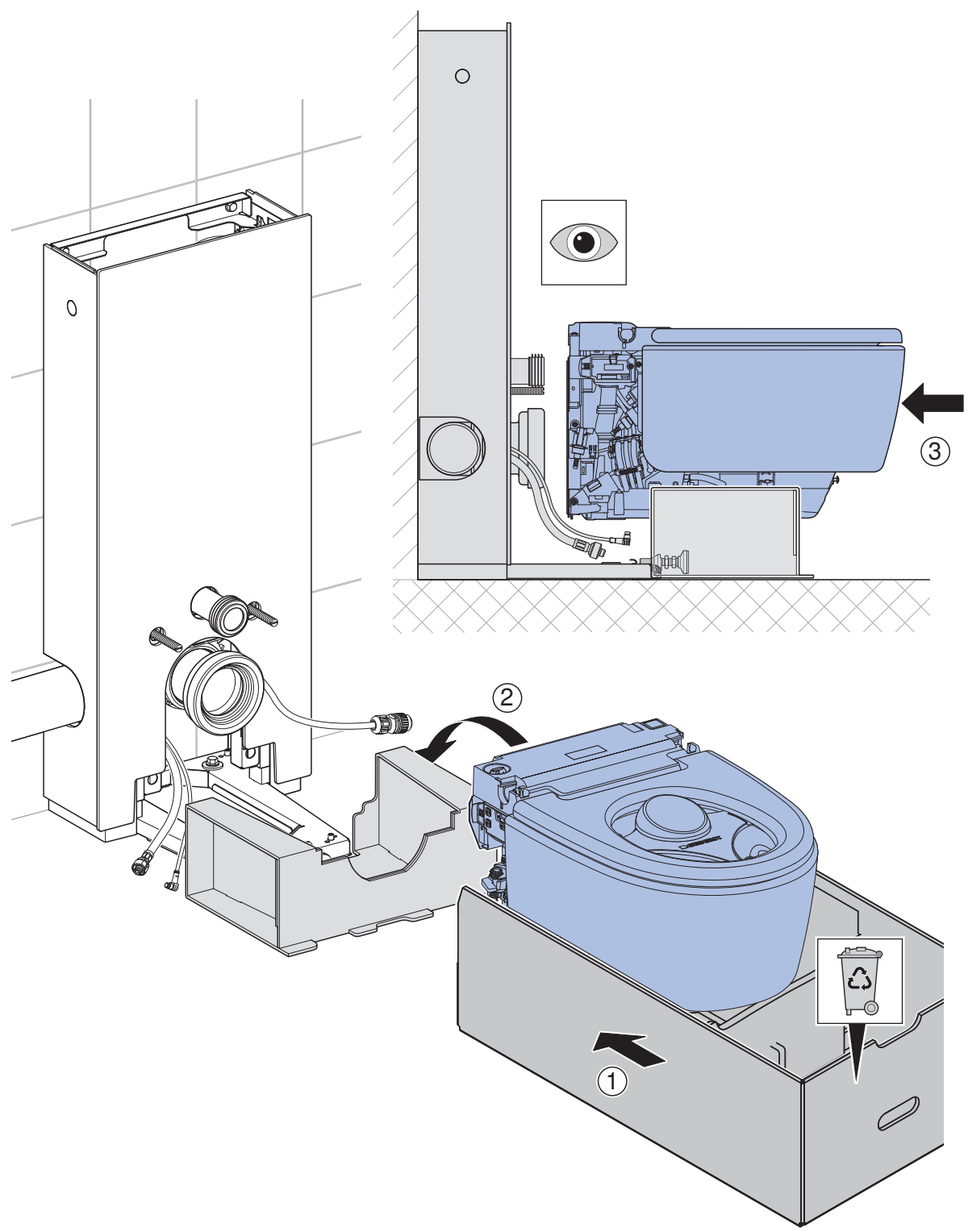
6

Position the mounting aid.

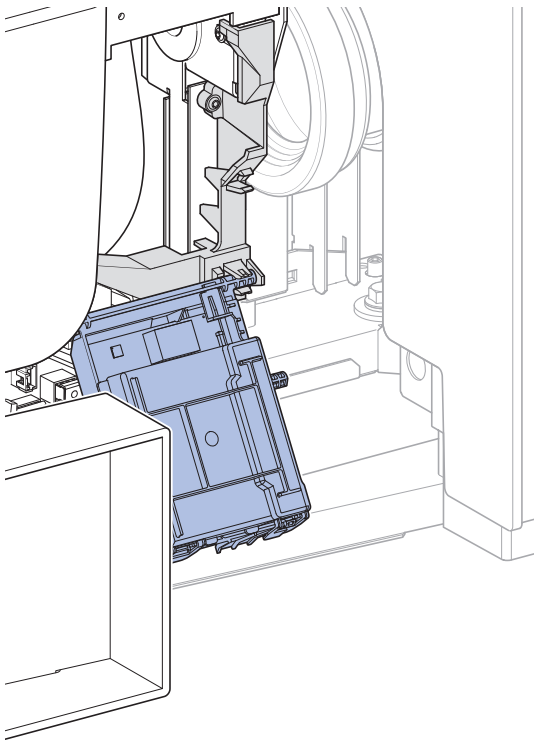
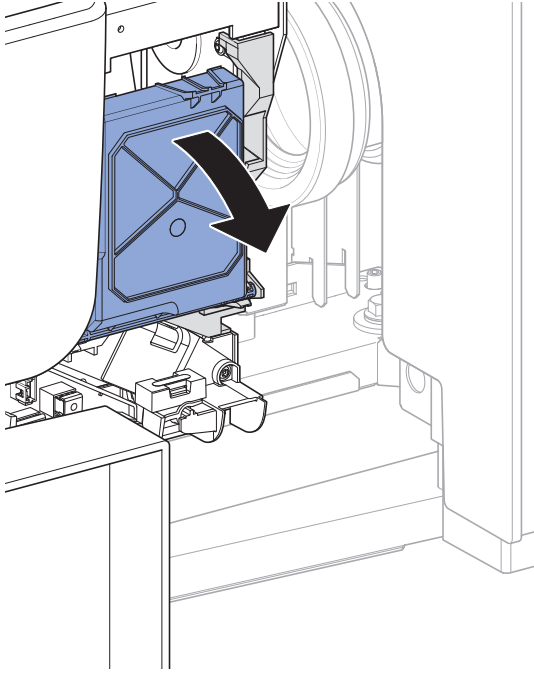


Mount the shower toilet

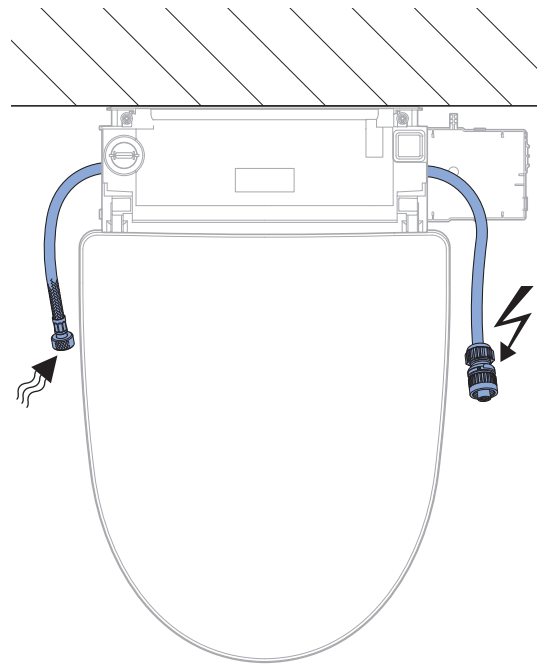
1 Position the shower toilet.



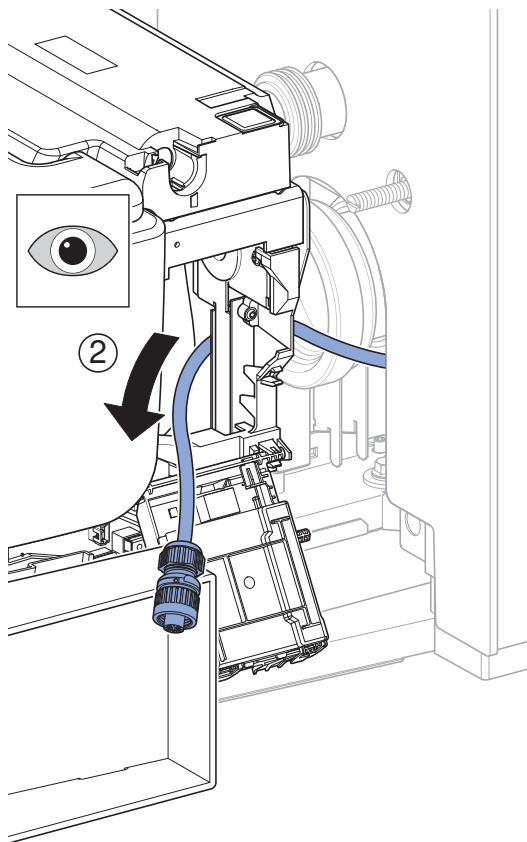
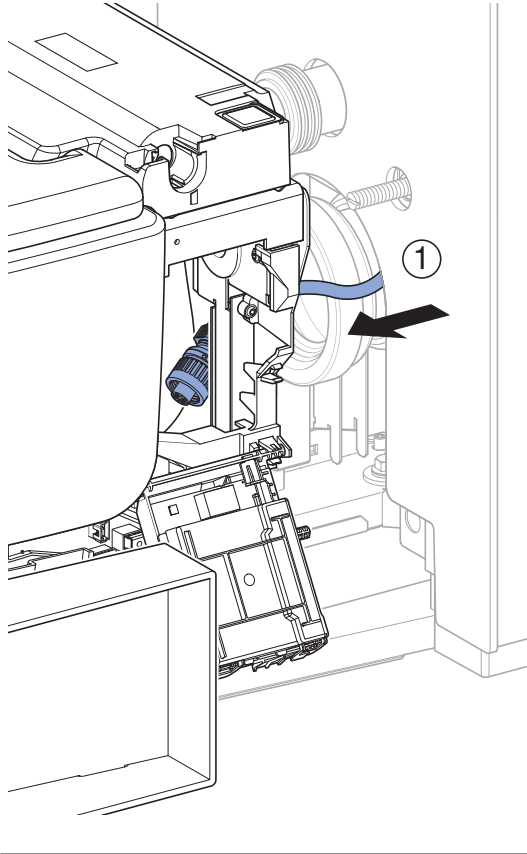
2 Open the butterfly valve of the main control.



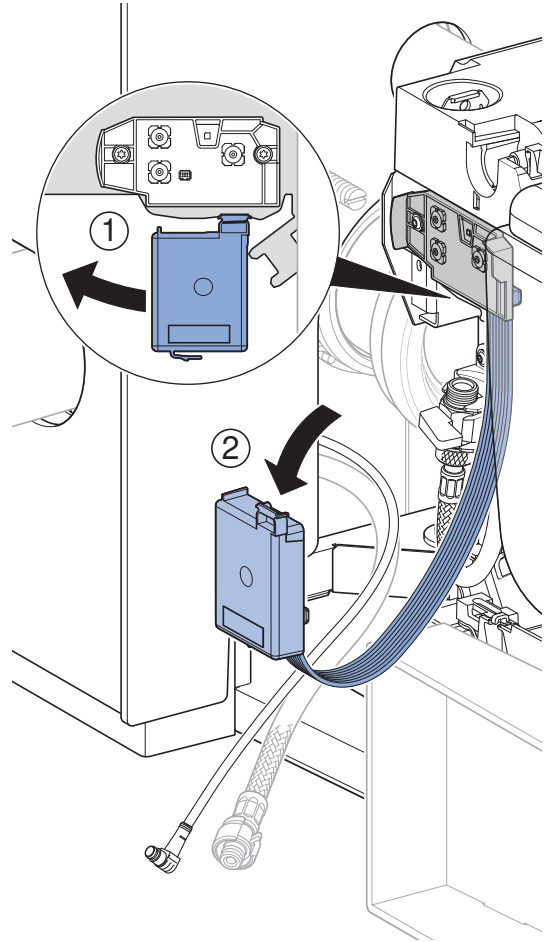
i Overview of the water supply and mains connection.



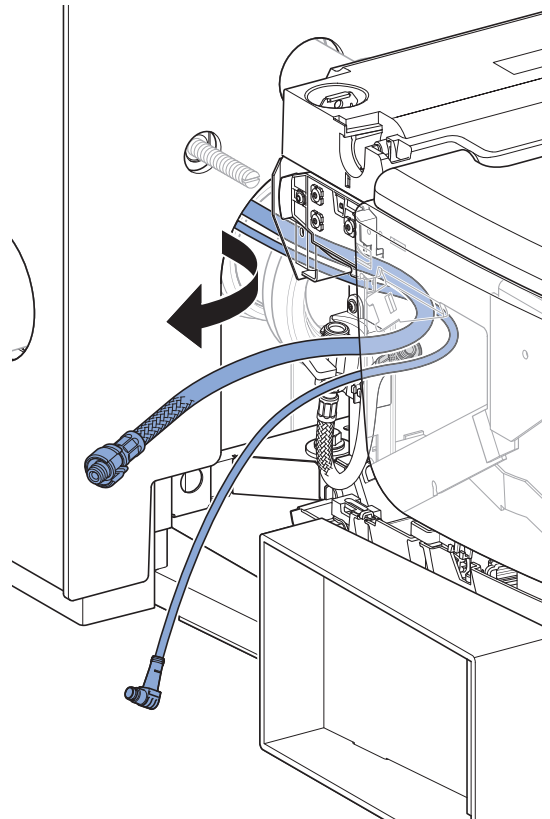
3 Insert the cable.



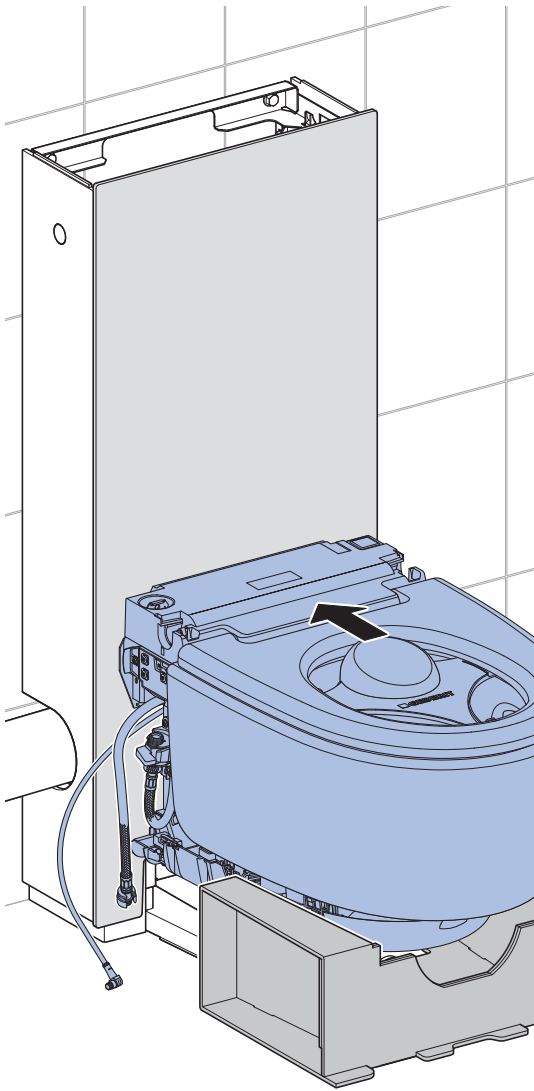
4 Remove the interface module.



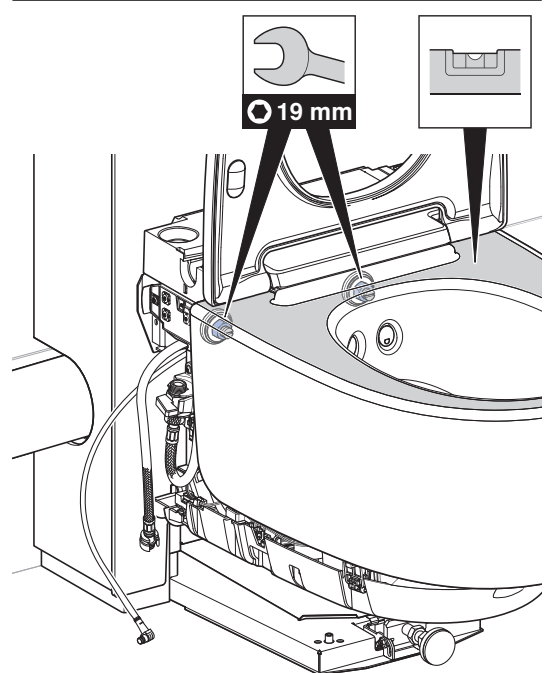
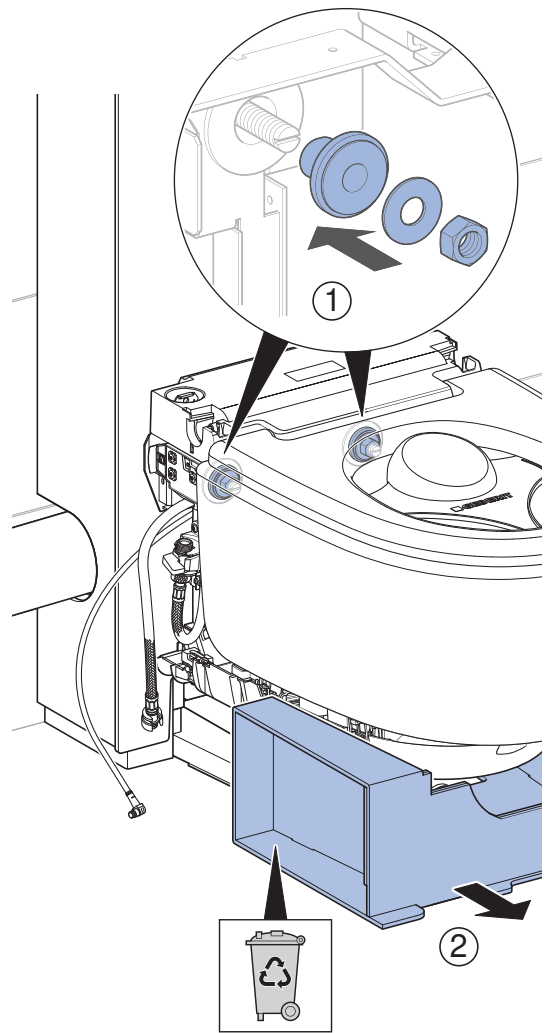
5 Insert the reinforced braided hose.



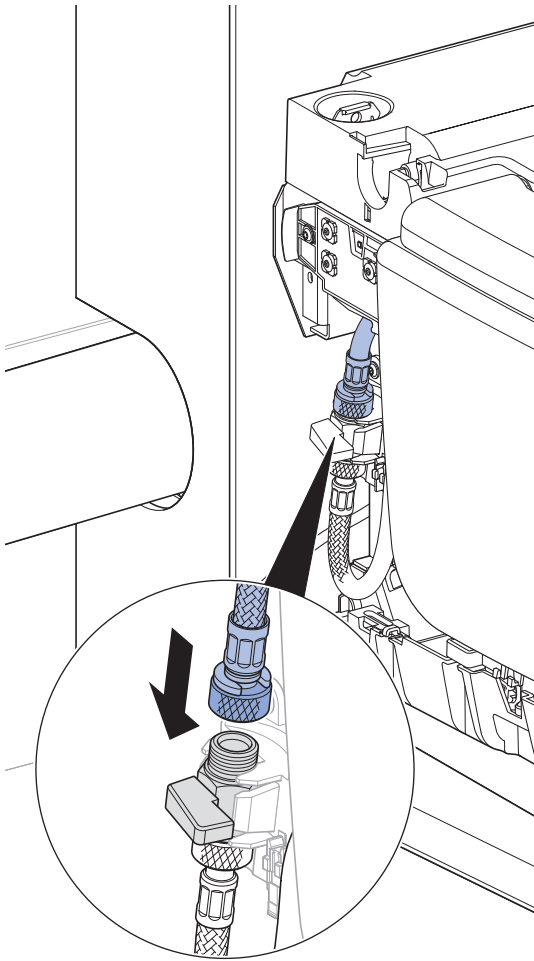
6 Slide the WC ceramic appliance towards the wall.



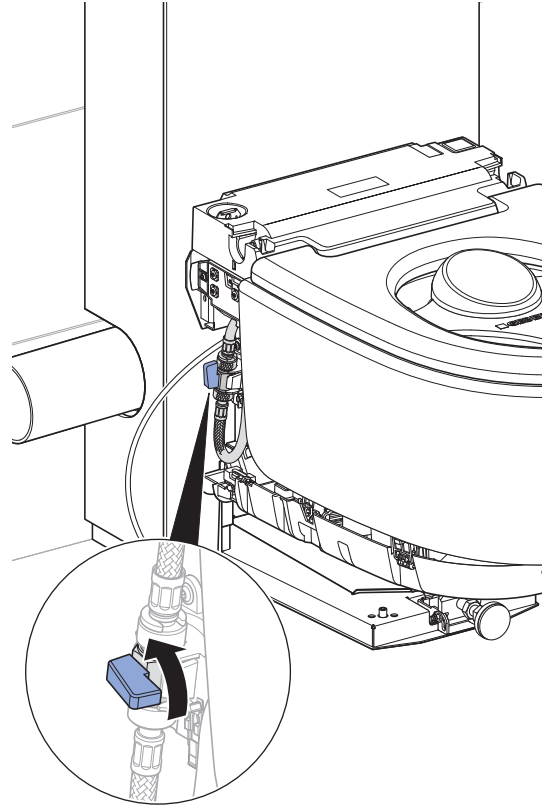
7 Fasten the WC ceramic appliance to the wall.



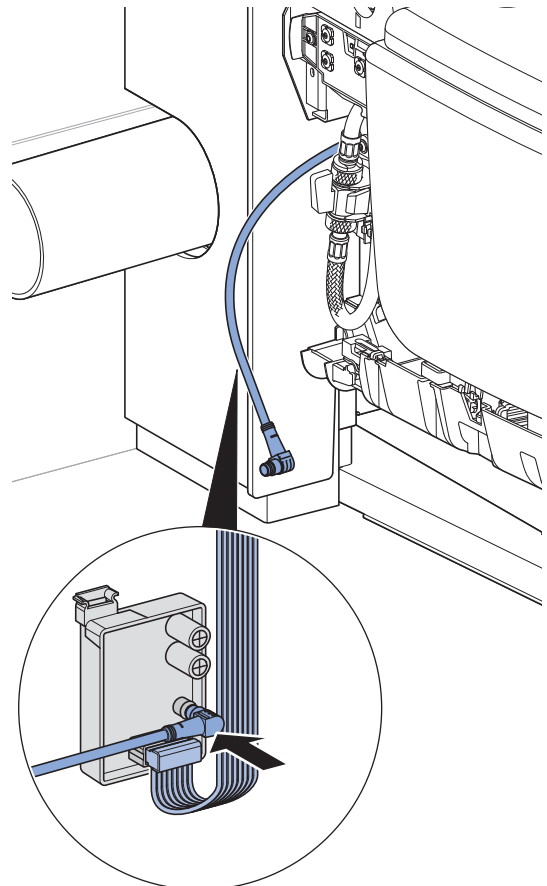
- 8** Connect the reinforced braided hose to the ball valve.



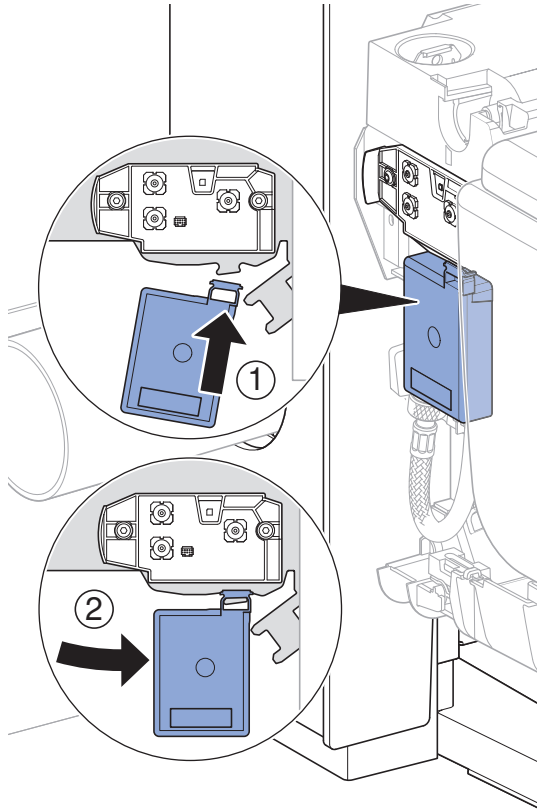
- 9** Open the ball valve.



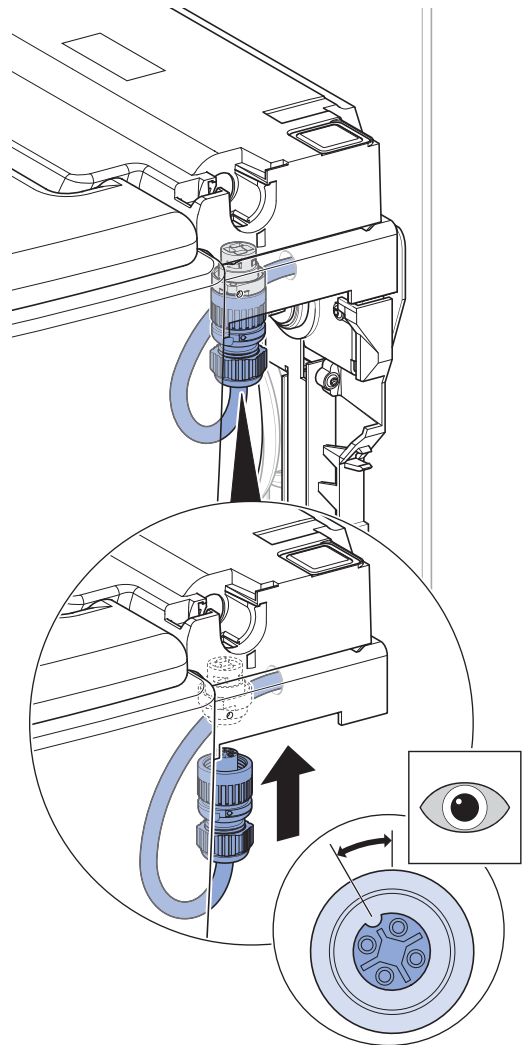
- 10** Connect the control cable with the interface module.



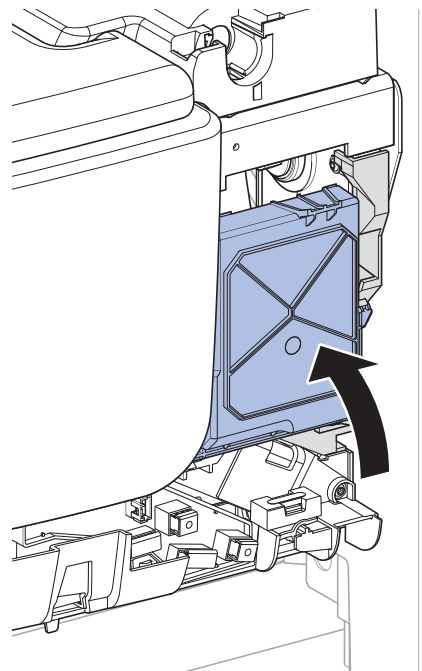
11 Install the interface module.



12 Connect the mains plug.

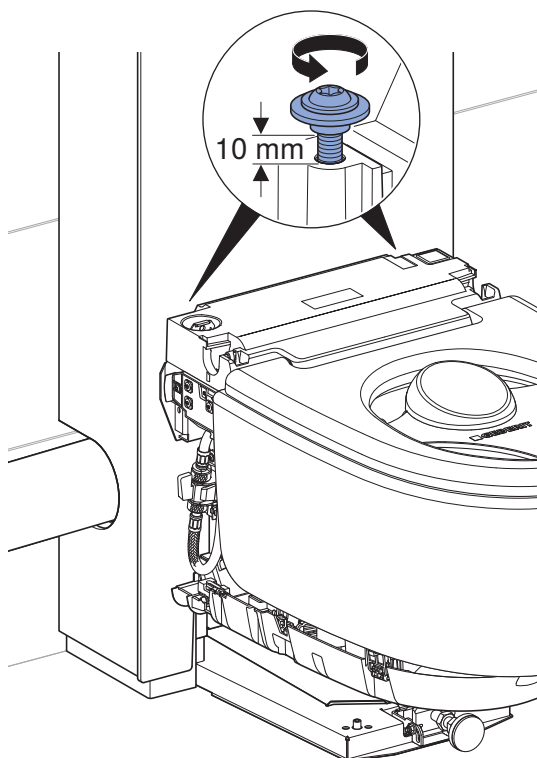


13 Raise the main control.

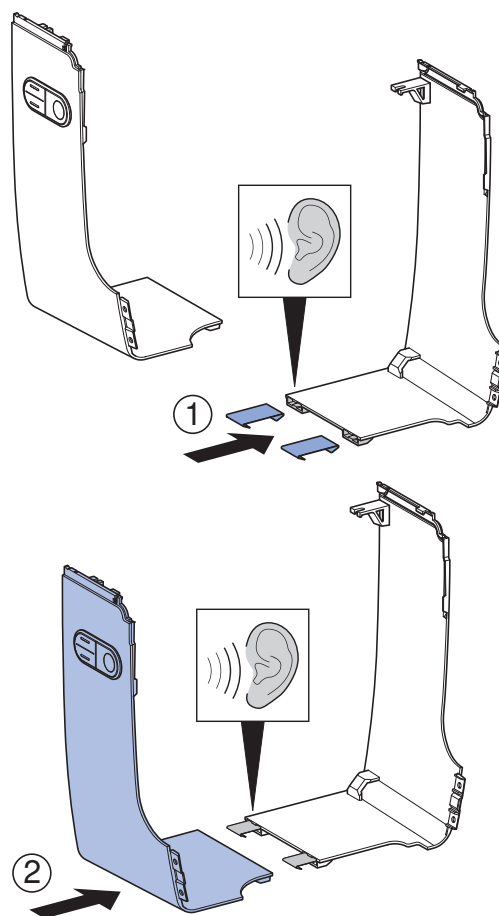


Mounting the covers

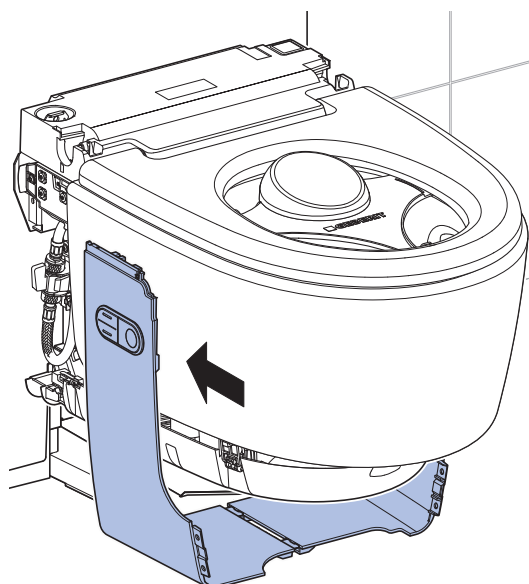
- 1 Loosen the screws of the top protection cover.



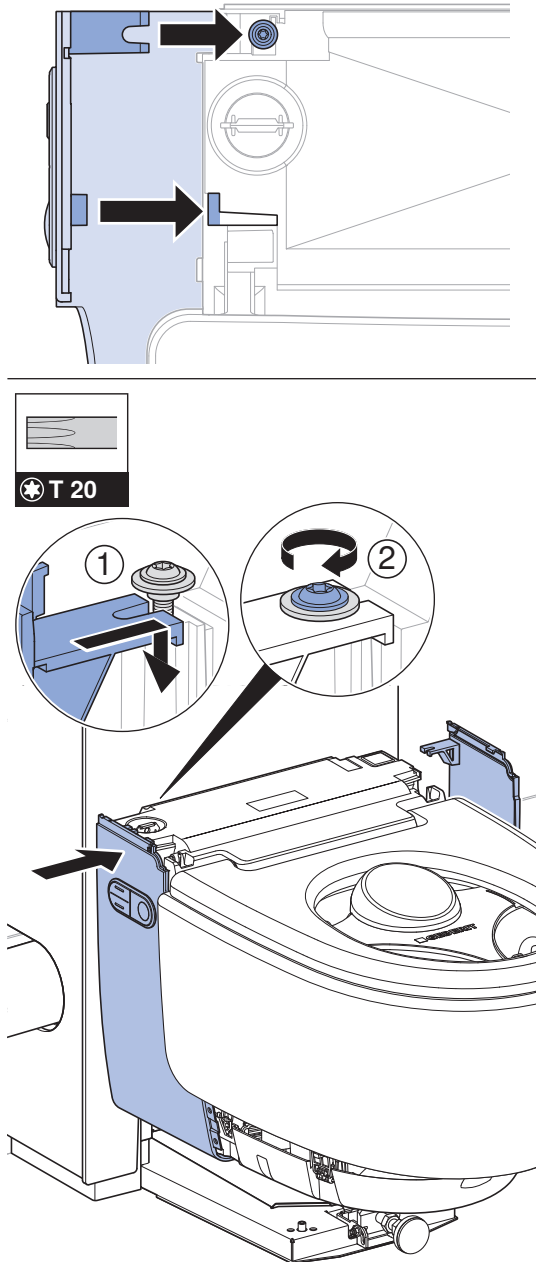
- 2 Assemble the standard side cladding parts.



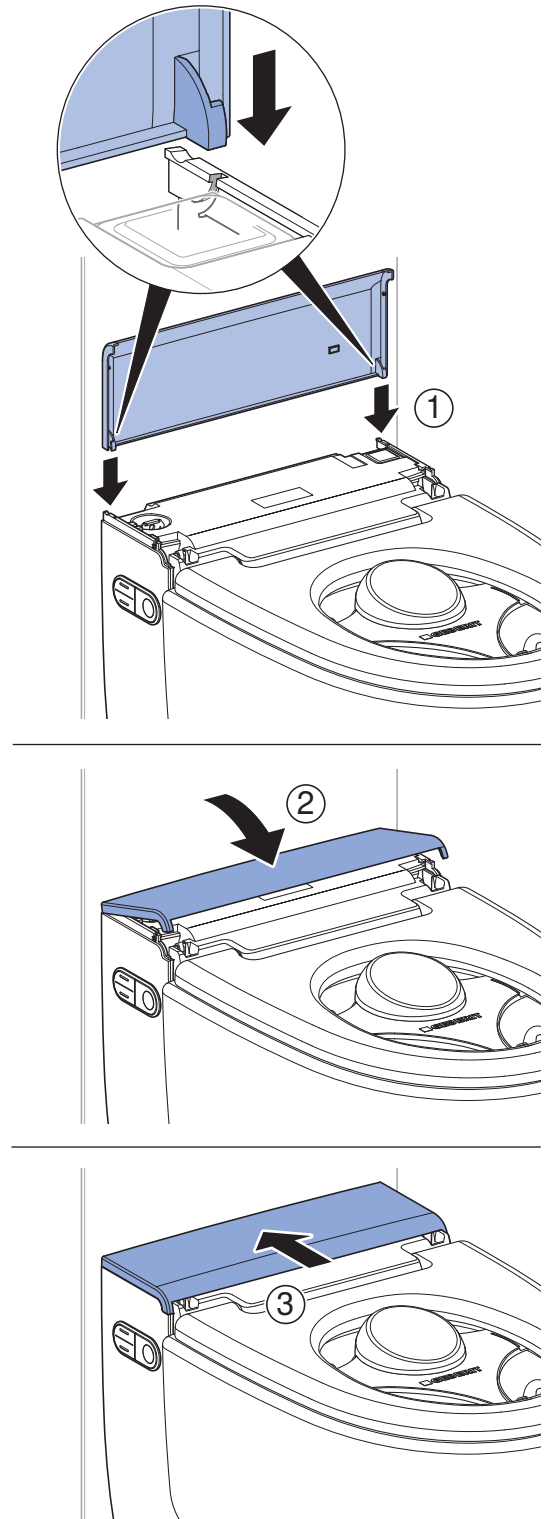
- 3 Mount the side cladding.



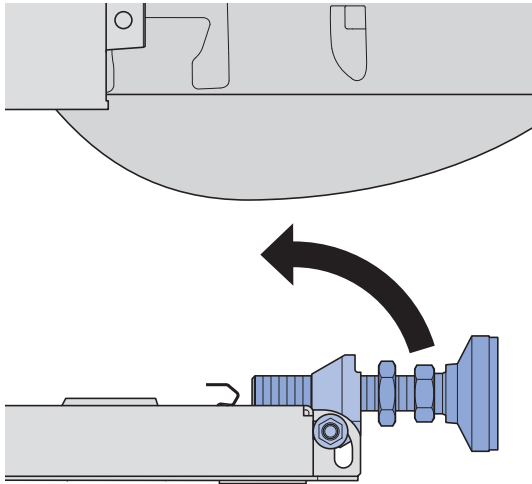
4 Screw the side cladding on securely.



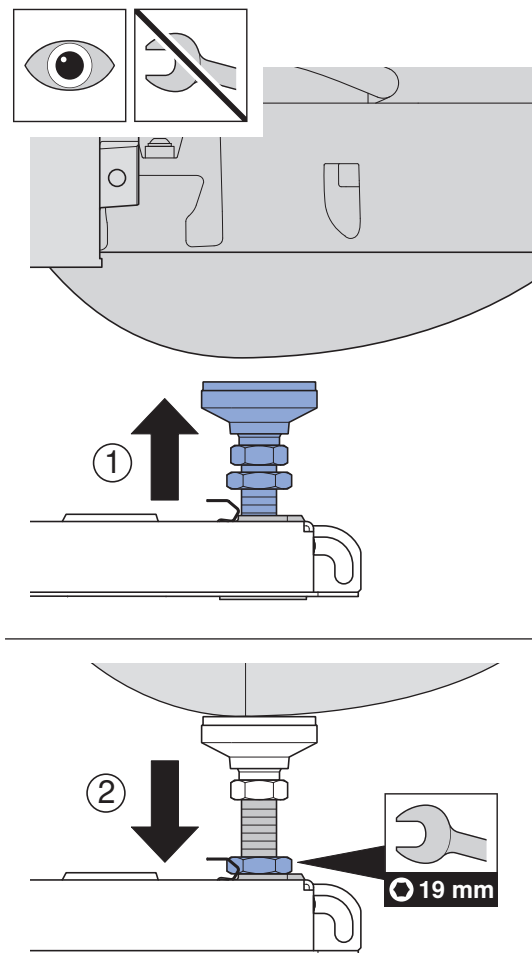
5 Fit the top cladding.



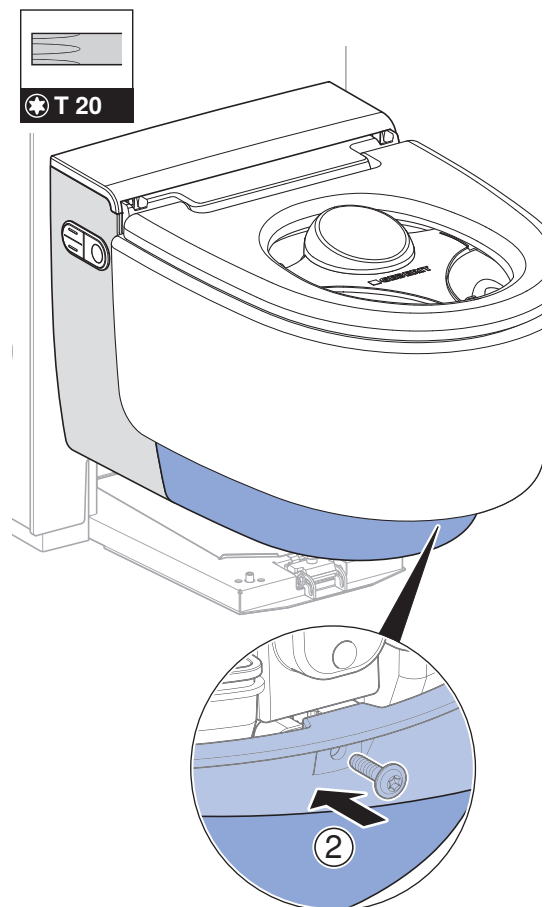
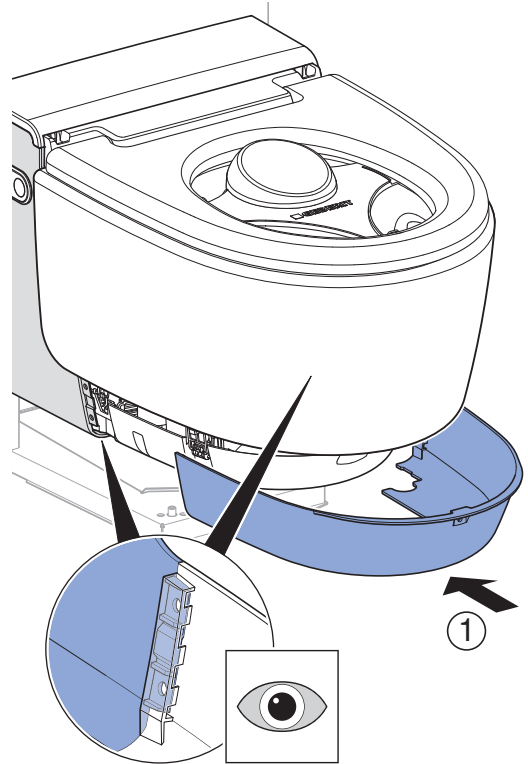
6 Raise the leg support.



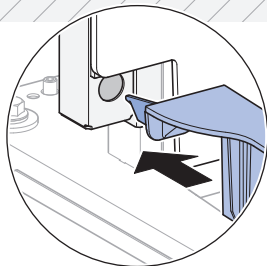
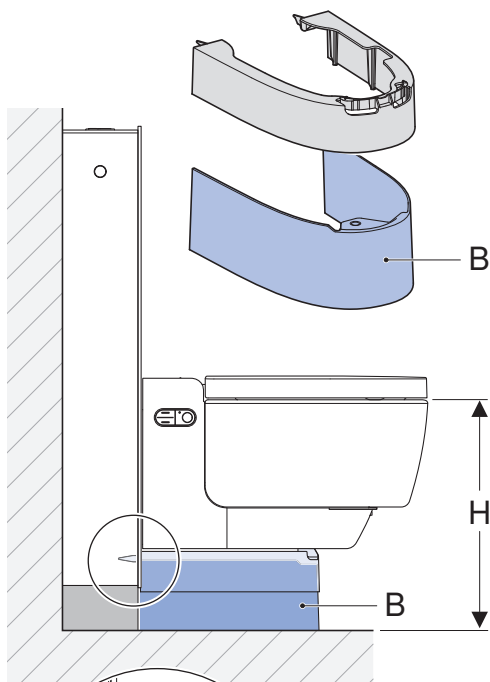
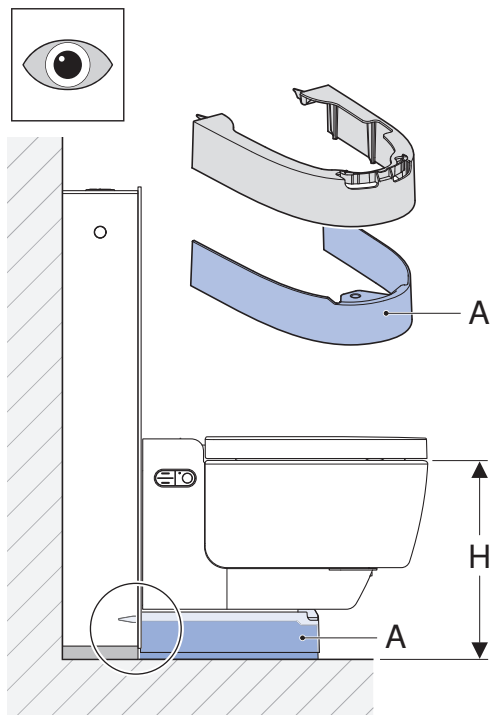
7 Adjust and secure the leg support with a lock nut.



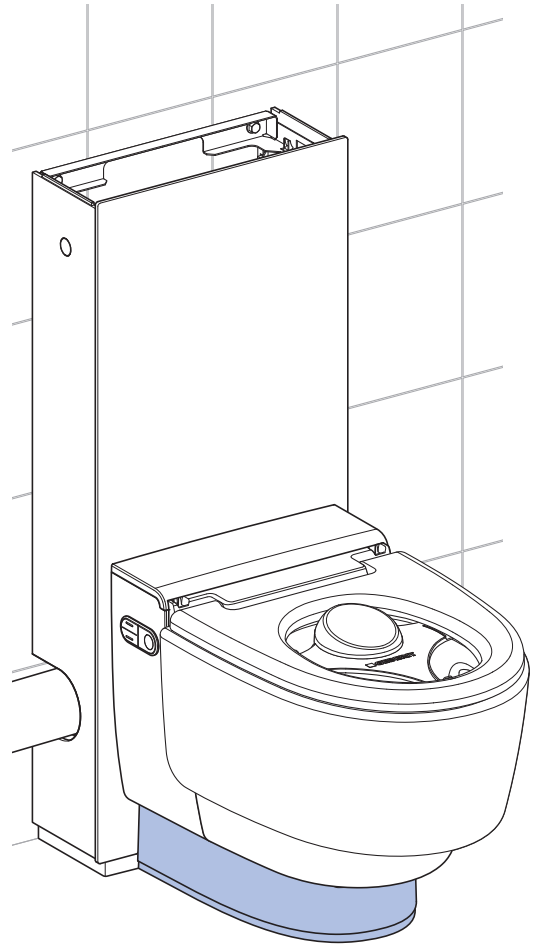
8 Mount the lower cladding.



9 Mount the pedestal cladding for low or high positions.



10 Mount the bottom cladding.



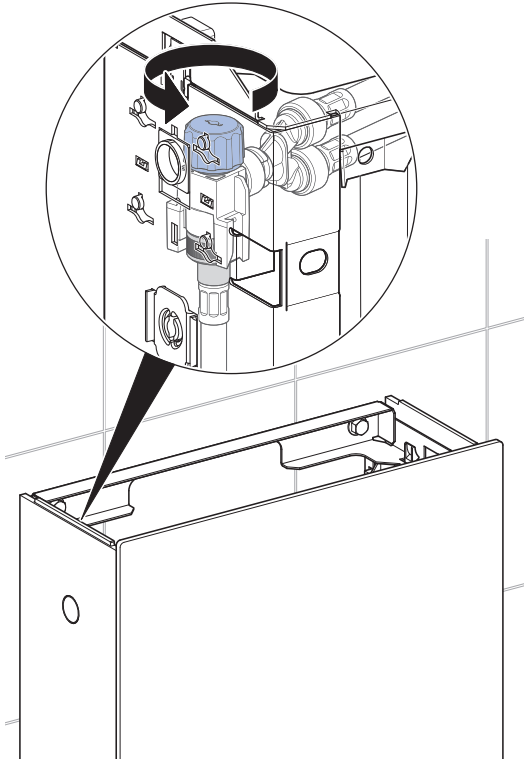
i Do not apply any joints.



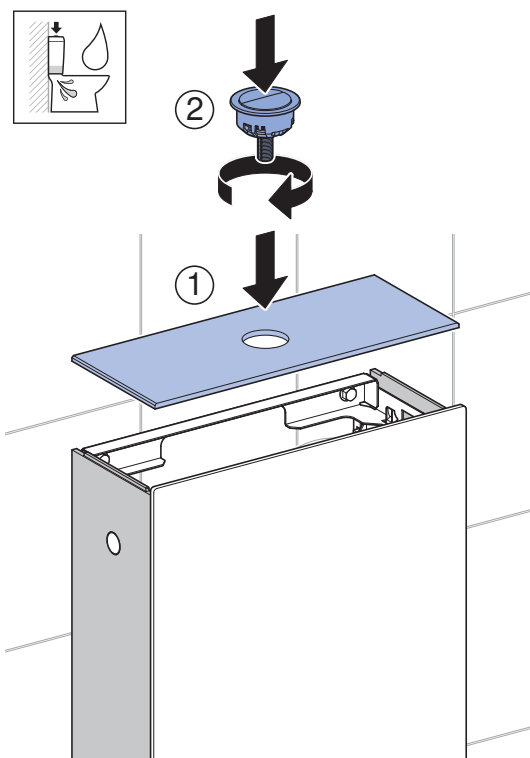
Function test

Testing the flush actuation

- 1** Open the angle stop valve in the frame.



- 2** Mount the cover and the actuator.

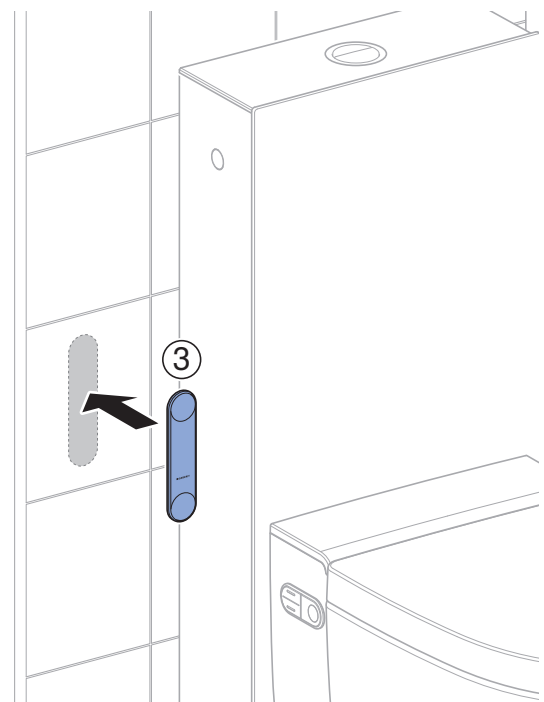
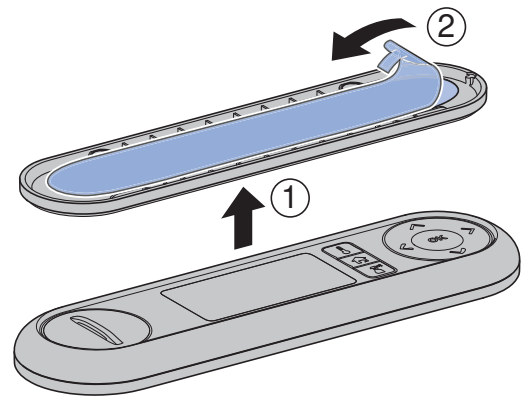


Mounting the wall-mounted holder

Prerequisite

- The device has been mounted and connected.

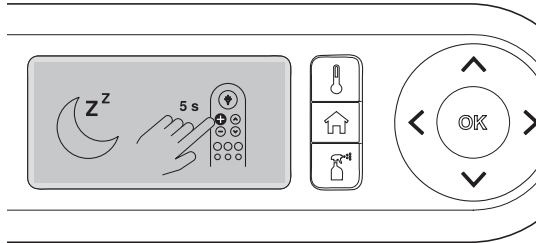
- Remove the adhesive foil and attach the wall-mounted holder.



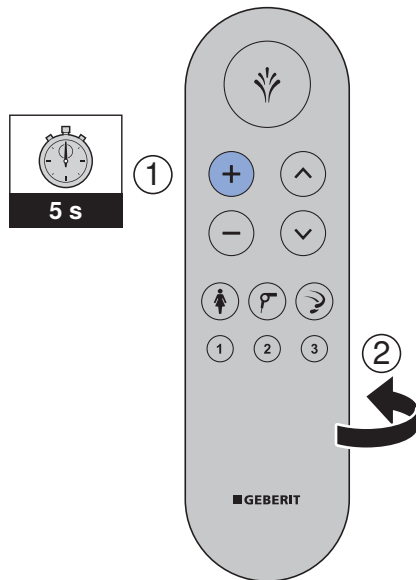
Setting the remote control language

Prerequisite

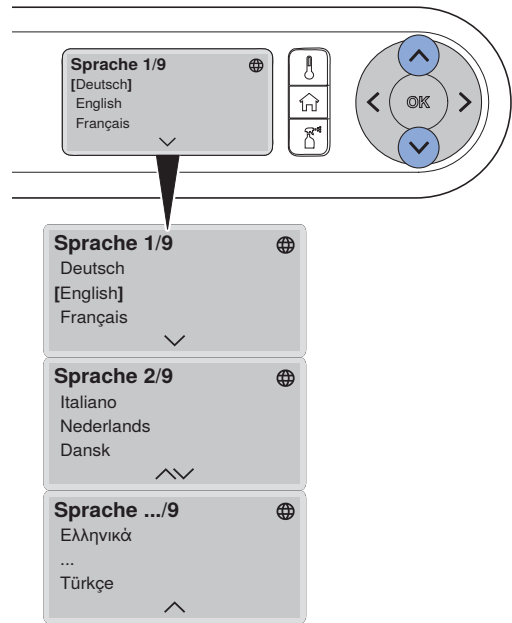
- The transport mode of the remote control is active.



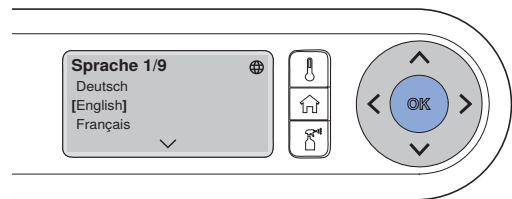
- 1 Press the <+> button on the remote control for approx. 5 seconds to activate the remote control.



- 2 Select the language in the menu.



- 3 Confirm language selection.

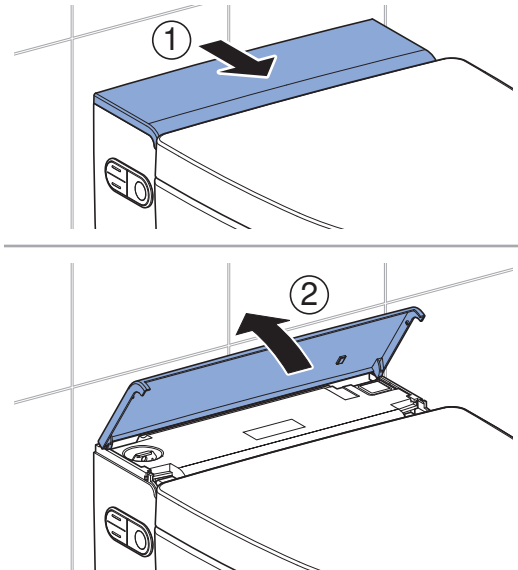


Switching on the device

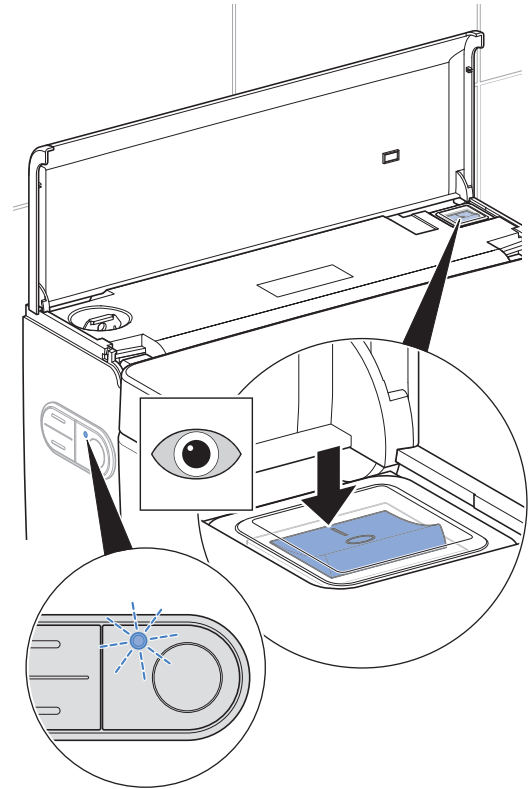
Prerequisite

- The device has been mounted and connected.
- The water supply at the ball valve has been opened.
- The lateral design covers have been assembled.
- The lower design cover has been mounted.
- The spray shield has been mounted.
- The upper design cover has been mounted.

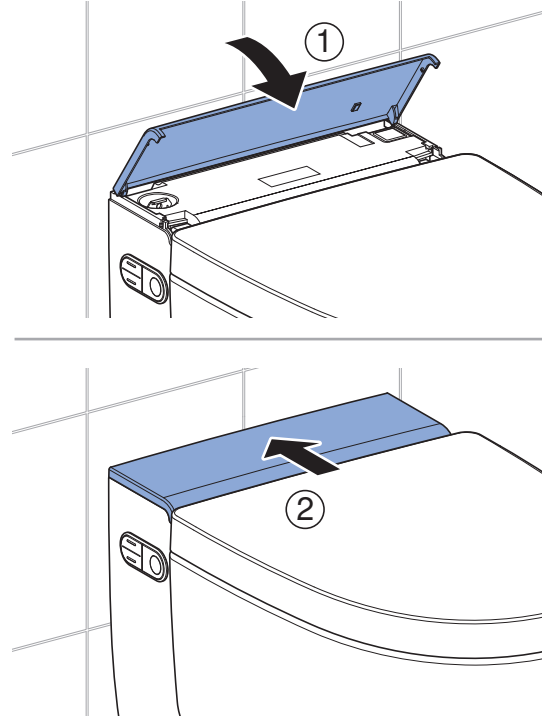
1 Lift up the design cover.



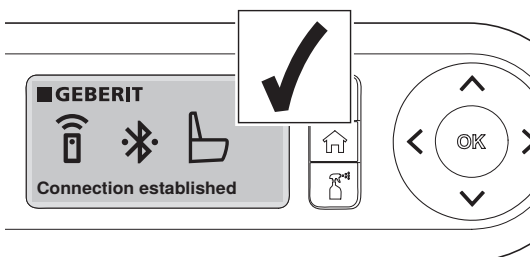
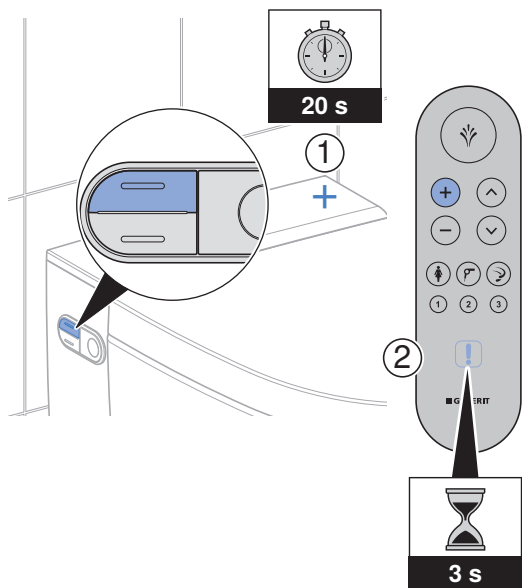
2 Switch on the device.



3 Close the design cover.



- 4** Simultaneously press the button at the <top> of the lateral control panel and the <+> button on the remote control for approx. 20 seconds until the LED on the remote control lights up for 3 seconds.



Result

- ✓ The LED on the lateral control panel lights up blue.
- ✓ The device is ready for operation.



If the status LED flashes red:

- Test whether the water supply has been established. Open ball valve.
- Reset storage water heater. → See Resetting the storage water heater
- switch off device, wait 30 seconds and then switch device back on.

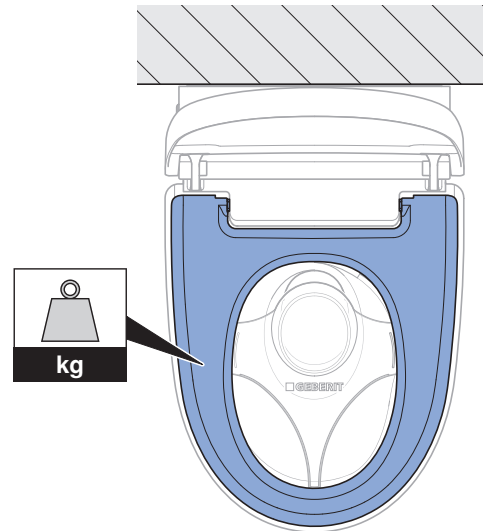
If the status LED continues to flash red after taking these measures, contact customer service.

Testing automatic flush actuation

Prerequisite

- The automatic flush actuation has been switched on in the main menu [Device settings].

- ▶ Apply a load to the WC seat for more than 10 seconds. Then remove the load.

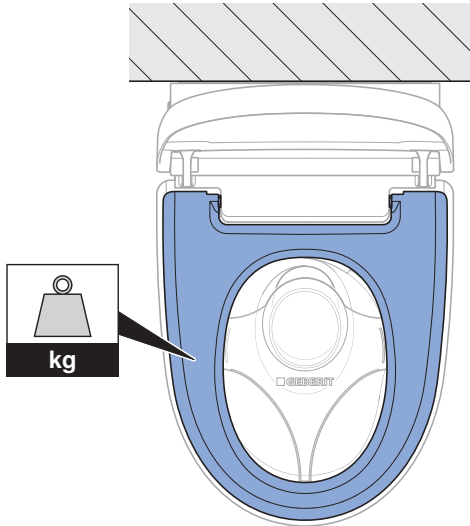


Result

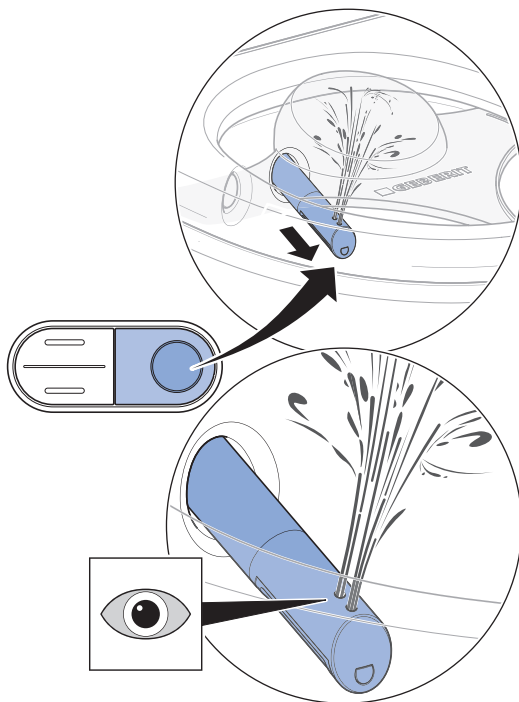
- ✓ A flush is actuated after around 5 seconds.

Checking the lateral control panel

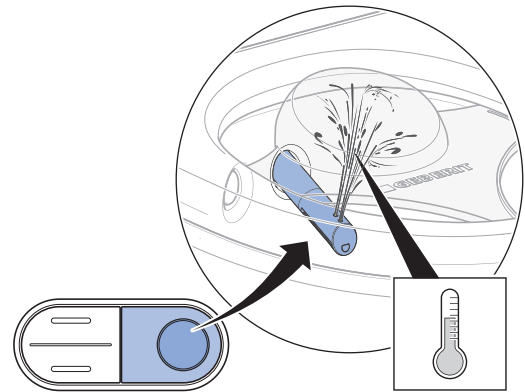
i For the following test steps, weight must be applied to the WC seat to simulate a user. The LED on the lateral control panel lights up blue during this.



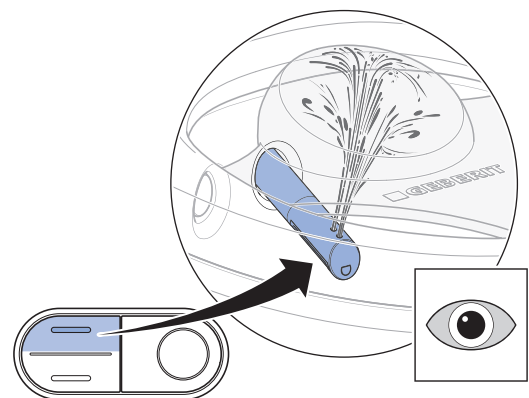
1 Test the anal shower function.



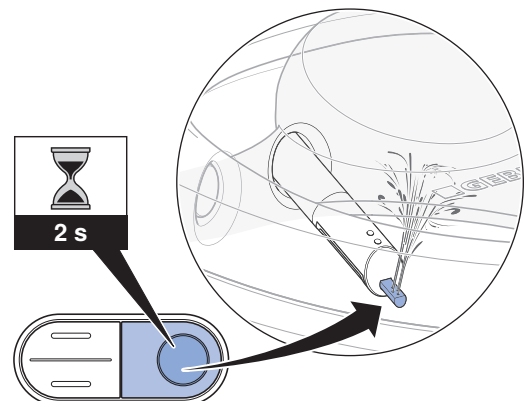
2 Test shower water temperature.



3 Test adjustability of spray intensity.

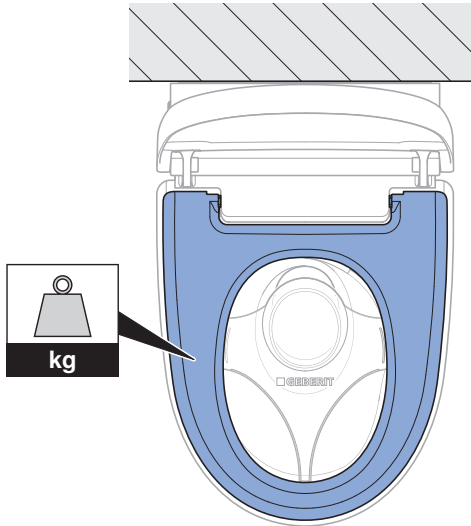


4 Test the Lady shower function.

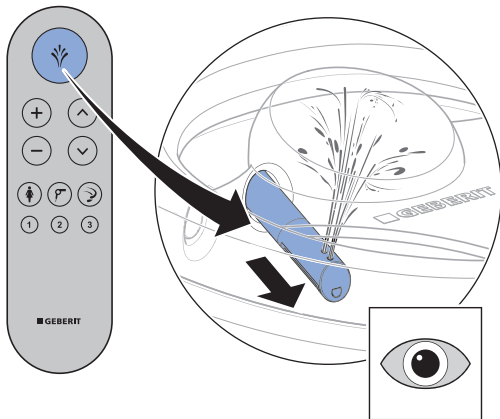


Testing the remote control

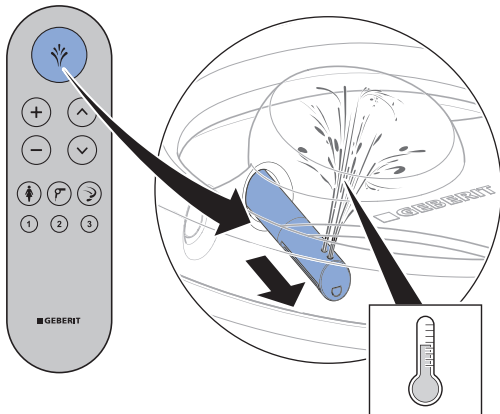
i For the following test steps, weight must be applied to the WC seat to simulate a user. The LED on the lateral control panel lights up blue during this.



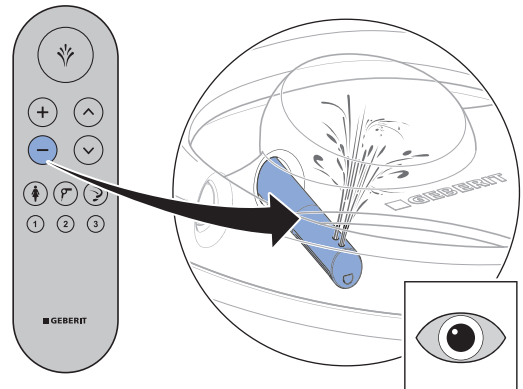
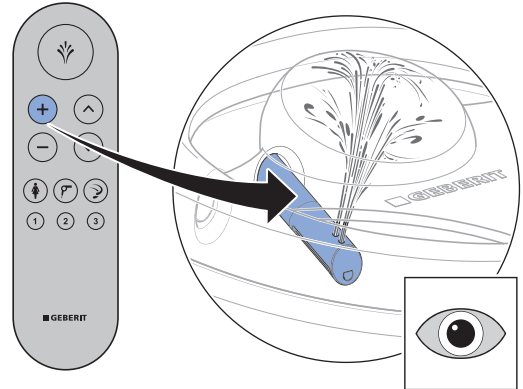
1 Test the anal shower function.



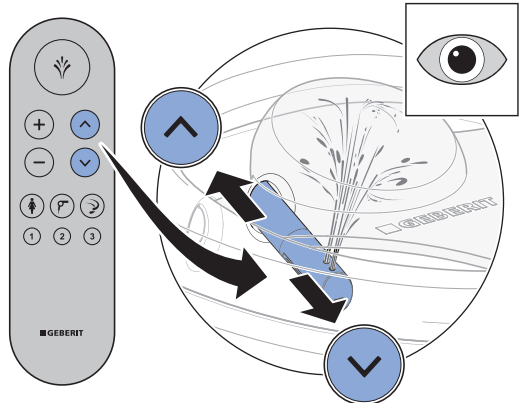
2 Test shower water temperature.



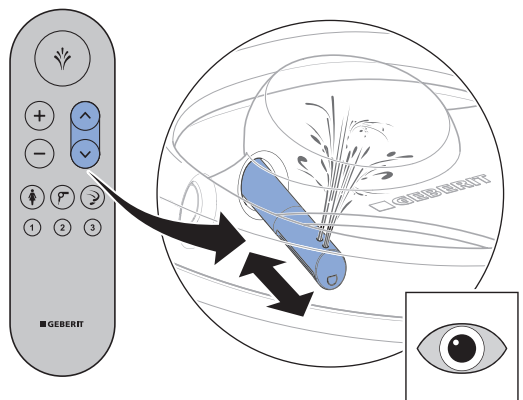
3 Test adjustability of spray intensity.



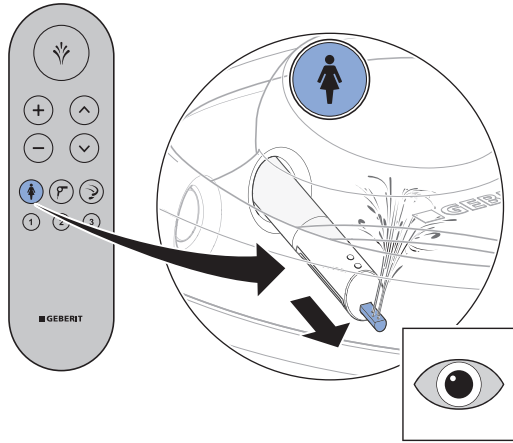
4 Test the spray arm position.



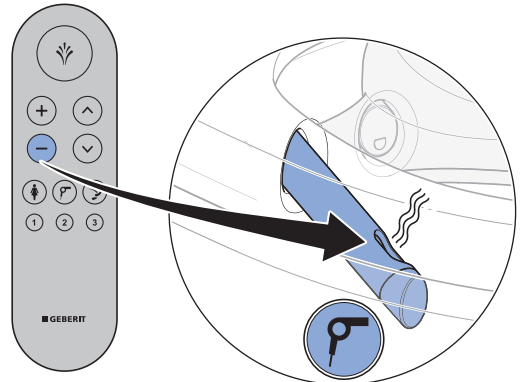
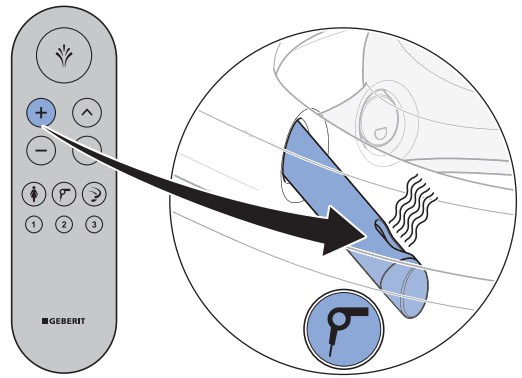
5 Test the oscillating function.



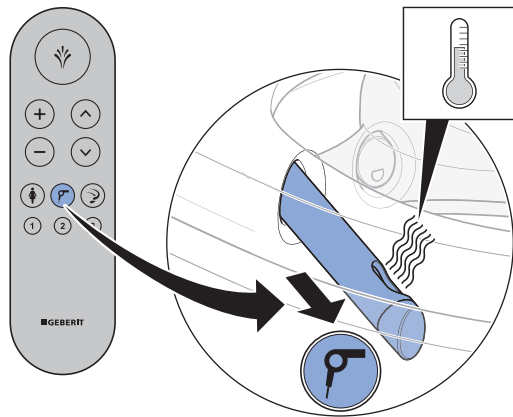
6 Test the Lady shower function.



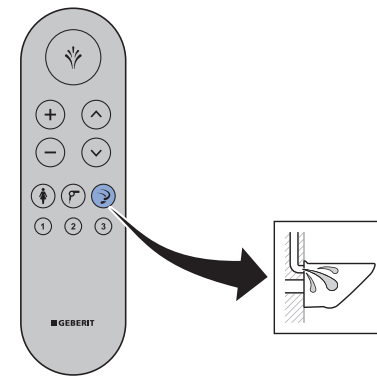
8 Test the adjustability of dryer temperature.



7 Test the dryer functionality.



9 Test the flush actuation.

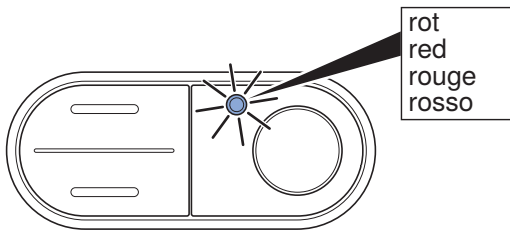


Resetting the storage water heater

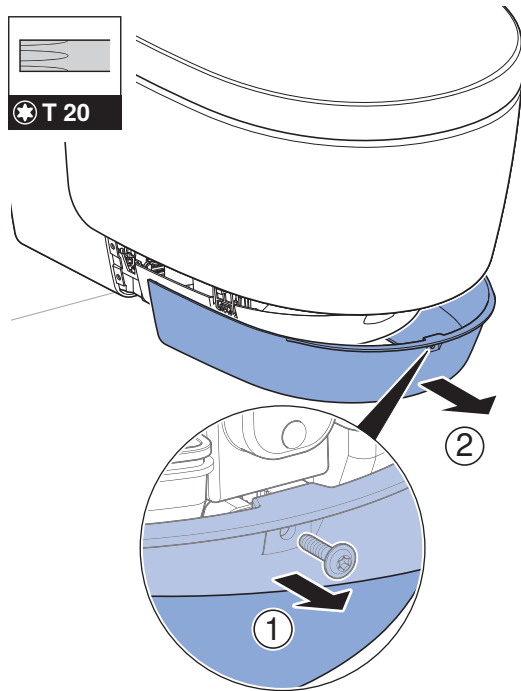
- i** If the storage or transport temperature exceeds 45 °C, the thermal cut-out will be tripped.

Prerequisite

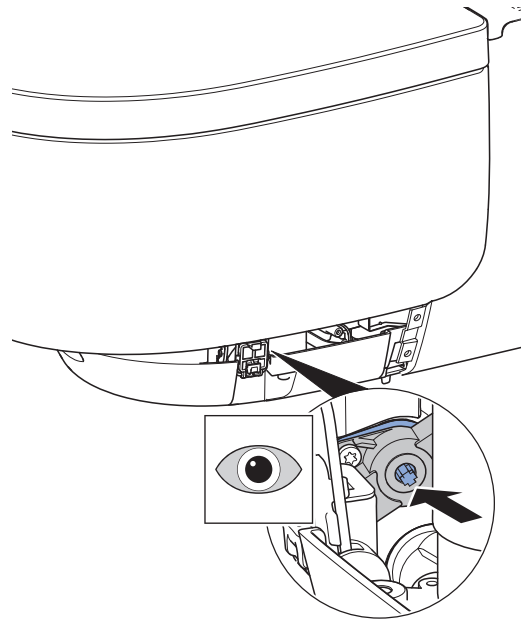
- The status LED on the lateral control panel flashes red.



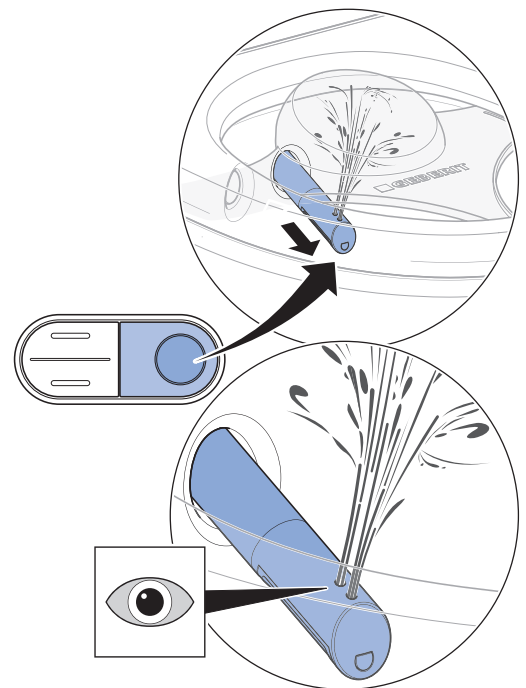
1 Demount front cladding.



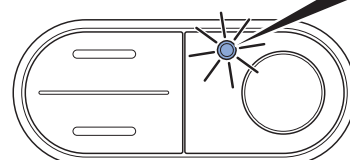
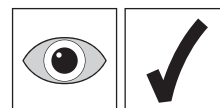
2 Reset the thermal cut-out of the storage water heater.



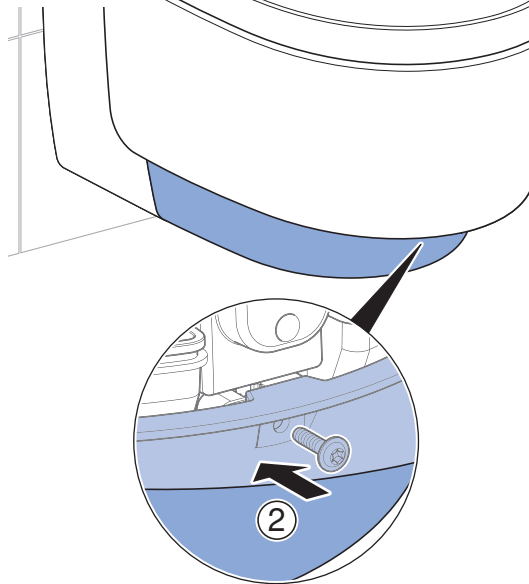
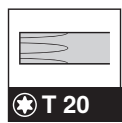
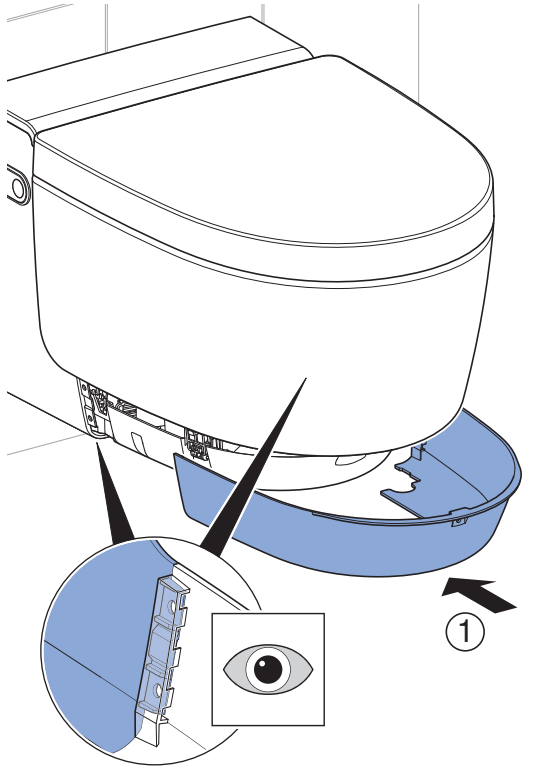
3 Activate the shower procedure.



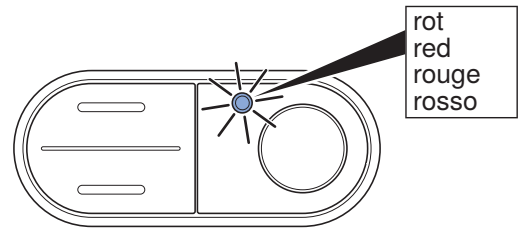
- ✓ The device initialises after switching on. The status LED on the lateral control panel flashes blue.



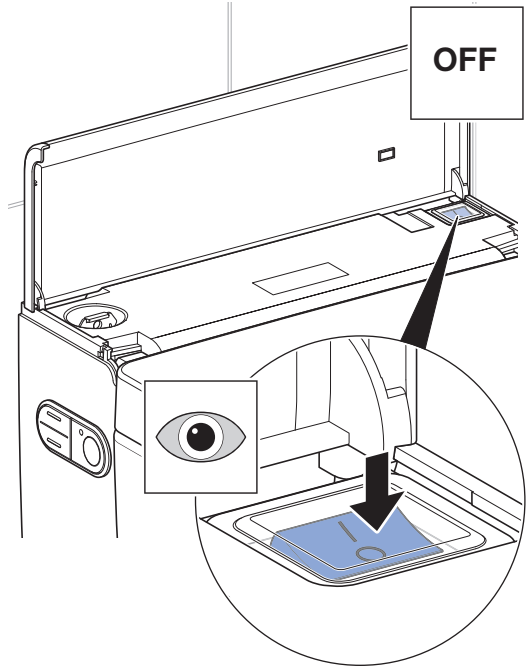
4 Mount the front cladding.



i Check the status LED.



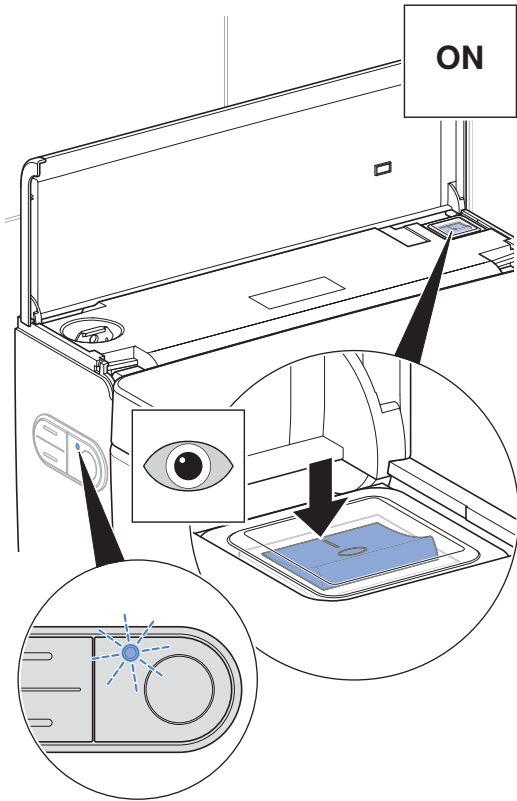
5 If the status LED continues to flash red, switch the device off.



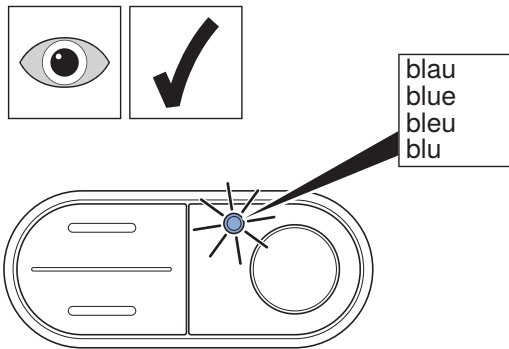
6 Wait 30 seconds.



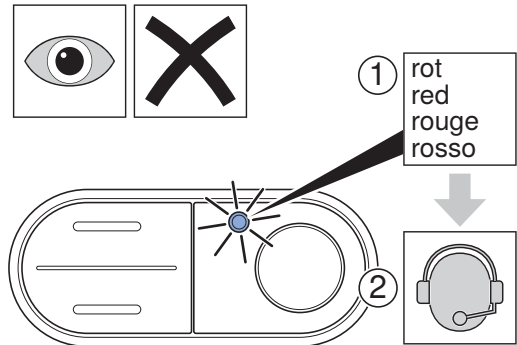
7 Switch the device on again.



8 Check the status LED. The status LED on the lateral control panel flashes blue, install the front cladding.



9 Check the status LED. If the status LED continues to flash red after taking these measures, contact customer service.



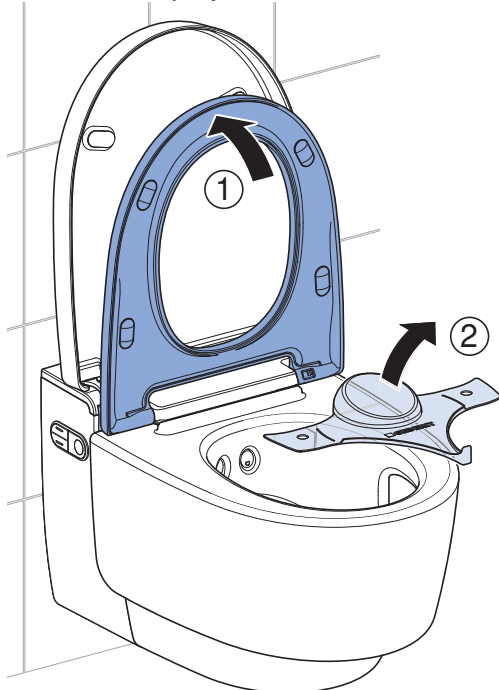
Commissioning

Putting the device into operation

Prerequisite

- Function test using the lateral control panel was performed successfully.
- Function test of the remote control was performed successfully.
- The device is installed correctly.

1 Remove the spray shield.



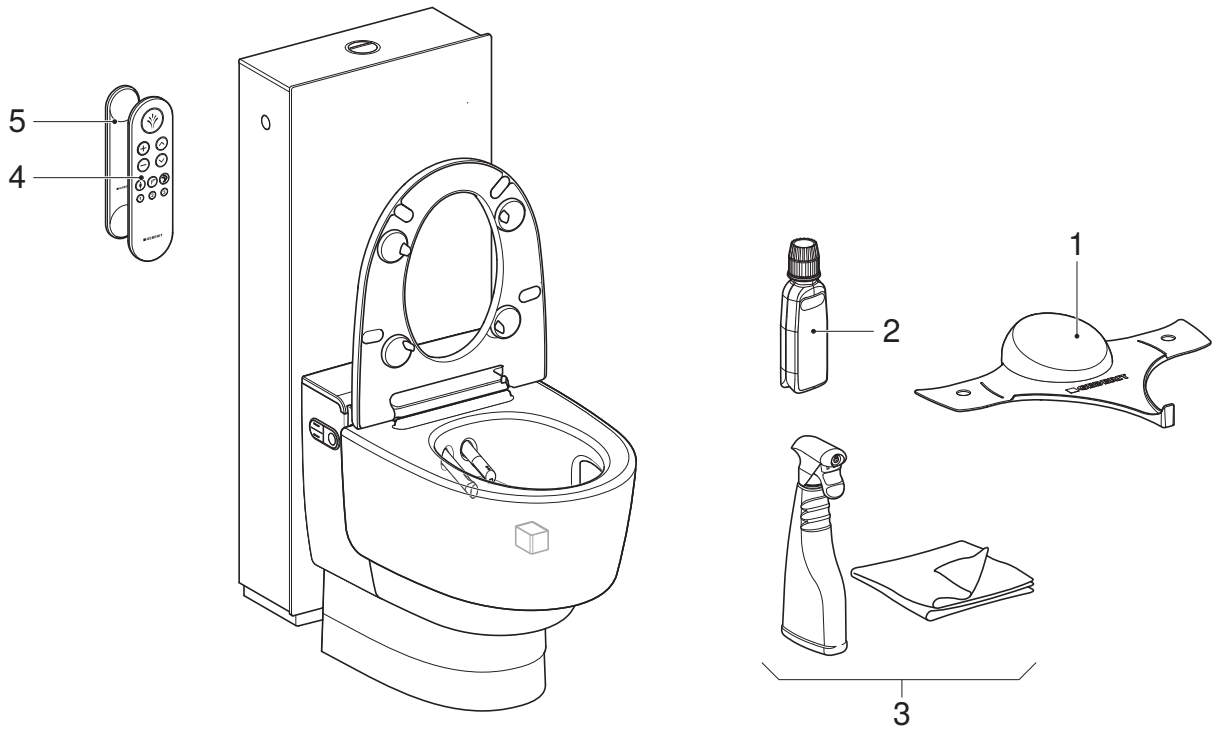
2 Clean the device.

3 Close the WC seat and WC lid.

Result

- ✓ The device is ready for operation and can be handed over to the customer.

Handing over the device



- 1 Geberit AquaClean spray shield
- 2 Geberit AquaClean descaling agent
- 3 Geberit AquaClean cleaning set
- 4 Remote control
- 5 Wall-mounted holder for remote control

Prerequisite

- Initial commissioning was performed successfully.
- All components are operable and undamaged.

1 Instruct the customer with regard to operation and cleaning, as per the user manual.

i Provide information on the annual descaling cycle. For detailed information on operation and cleaning, see user manual.

2 Hand over complete end user documentation and scope of delivery.

3 Carry out the warranty registration together with the customer and benefit from further advantages.

Geberit International AG
Schachenstrasse 77, CH-8645 Jona
documentation@geberit.com
www.geberit.com

