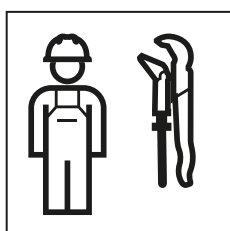


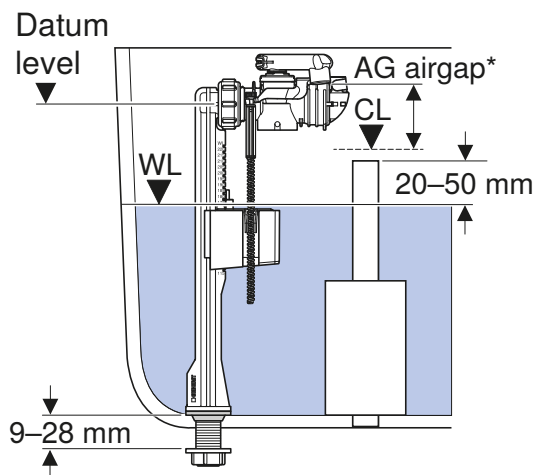
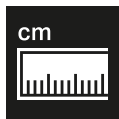
INSTALLATION MANUAL

MONTAGEANLEITUNG
INSTRUCTIONS DE MONTAGE
ISTRUZIONI PER IL MONTAGGIO

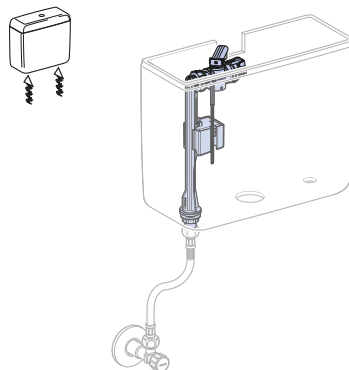


969.639.00.0(02)

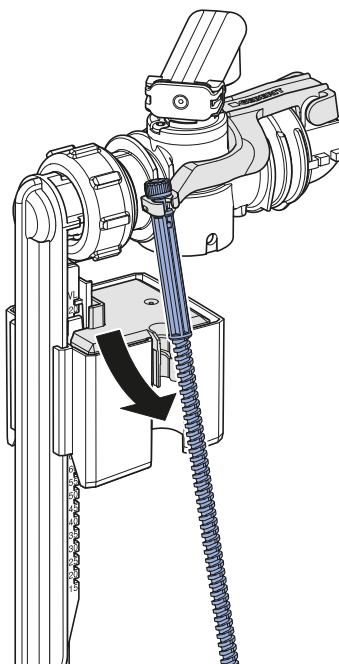




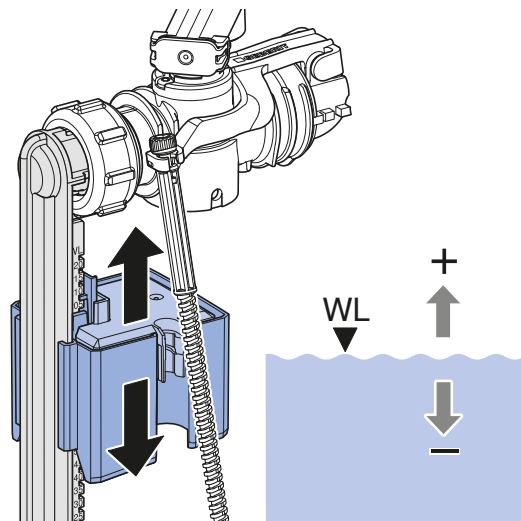
* Not less than 20 mm or twice the internal diameter of the inlet pipe within 1 m whichever is greater.



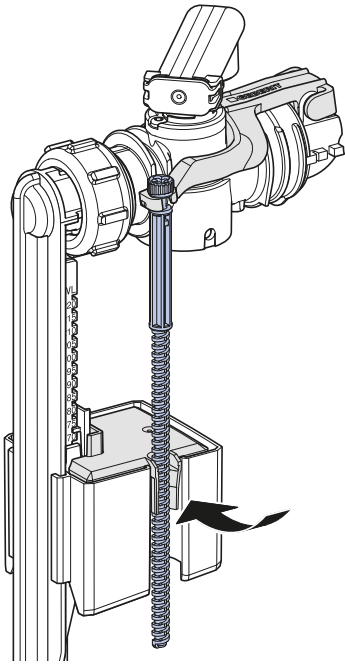
1



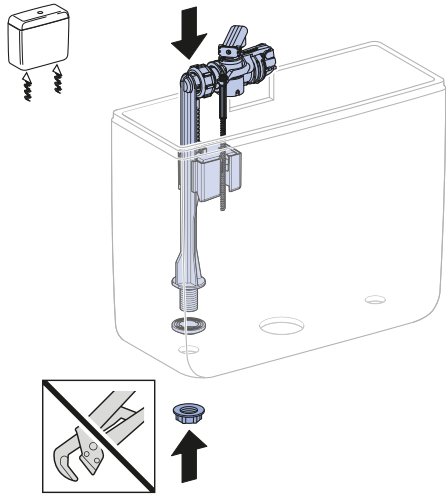
2



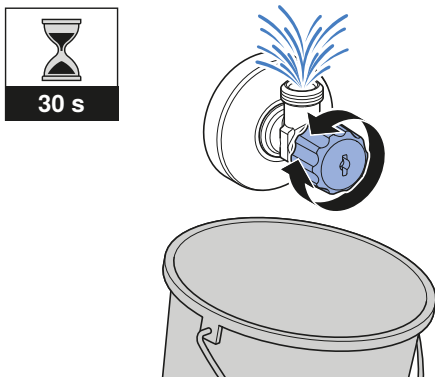
3



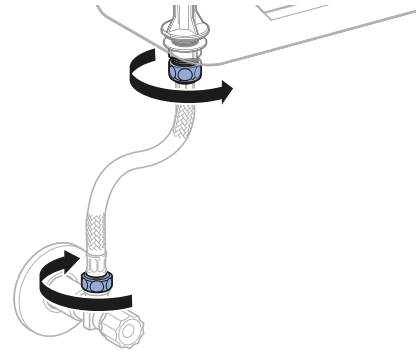
4



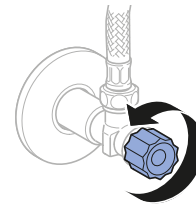
5



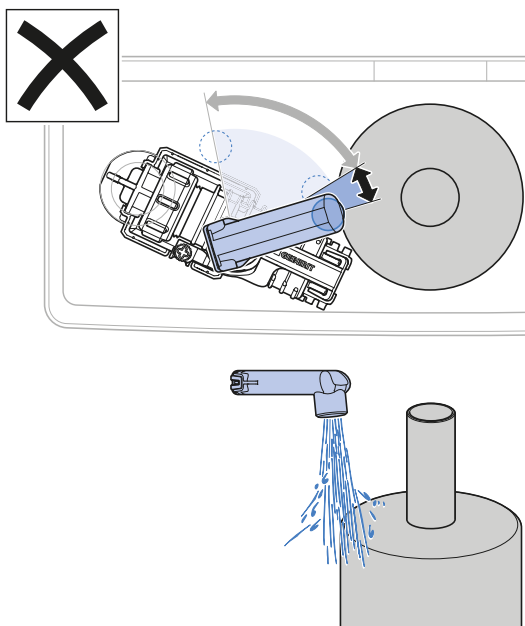
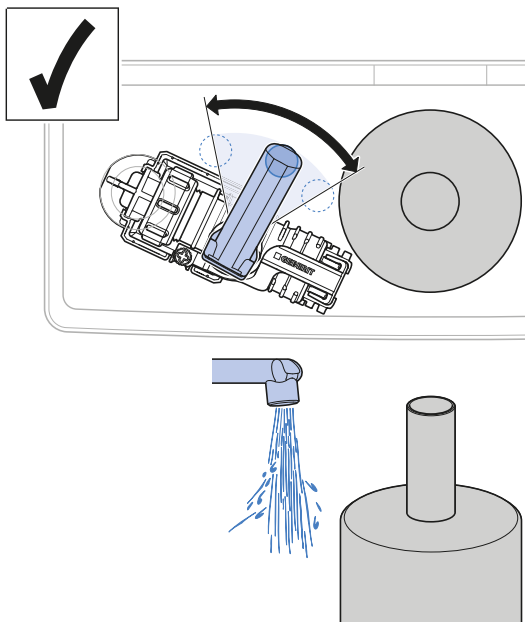
6



7



i



Geberit International AG
Schachenstrasse 77, CH-8645 Jona
documentation@geberit.com
www.geberit.com

